

# SPECIFICATION FOR APPROVAL

www.millotech.com

- ( ) Preliminary Specification
- ( ) Final Specification

|              |                           |
|--------------|---------------------------|
| <b>Title</b> | <b>17.1" WXGA TFT LCD</b> |
|--------------|---------------------------|


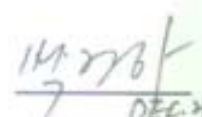

|       |     |
|-------|-----|
| BUYER | LGE |
| MODEL | -   |

|          |                          |
|----------|--------------------------|
| SUPPLIER | LG.Philips LCD Co., Ltd. |
| *MODEL   | LC171W03                 |
| SUFFIX   | C4                       |

\*When you obtain standard approval, please use the above model name without suffix

| APPROVED BY | SIGNATURE DATE |
|-------------|----------------|
| /           | _____          |
| /           | _____          |
| /           | _____          |

Please return 1 copy for your confirmation with your signature and comments.

| APPROVED BY            | SIGNATURE DATE   |
|------------------------|--|
| J.H. Yoon / G. Manager | <br>12-29-04  |
| REVIEWED BY            |  |
| J.H. Park / S. Manager | <br>7 DEC-04  |
| PREPARED BY            |  |
| C.O.Chang / Engineer   | <br>28 NOV 04 |

TV Products Engineering Dept.  
LG. Philips LCD Co., Ltd

Product Specification

**CONTENTS**

| Number | ITEM                                     | Page |
|--------|--|------|
|        | COVER                                    | 1    |
|        | CONTENTS                                 | 2    |
|        | RECORD OF REVISIONS                      | 3    |
| 1      | GENERAL DESCRIPTION                      | 4    |
| 2      | ABSOLUTE MAXIMUM RATINGS                 | 5    |
| 3      | ELECTRICAL SPECIFICATIONS                | 6    |
| 3-1    | ELECTRICAL CHARACTERISTICS               | 6    |
| 3-2    | INTERFACE CONNECTIONS                    | 8    |
| 3-3    | SIGNAL TIMING SPECIFICATIONS             | 12   |
| 3-4    | SIGNAL TIMING WAVEFORMS                  | 13   |
| 3-5    | COLOR INPUT DATA REFERENCE               | 14   |
| 3-6    | POWER SEQUENCE                           | 15   |
| 4      | OPTICAL SPECIFICATIONS                   | 17   |
| 5      | MECHANICAL CHARACTERISTICS               | 21   |
| 6      | RELIABILITY                              | 24   |
| 7      | INTERNATIONAL STANDARDS                  | 25   |
| 7-1    | SAFETY                                   | 25   |
| 7-2    | EMC                                      | 25   |
| 8      | PACKING                                  | 26   |
| 8-1    | DESIGNATION OF LOT MARK                  | 26   |
| 8-2    | PACKING FORM                             | 26   |
| 9      | PRECAUTIONS                              | 27   |
| 9-1    | MOUNTING PRECAUTIONS                     | 27   |
| 9-2    | OPERATING PRECAUTIONS                    | 27   |
| 9-3    | ELECTROSTATIC DISCHARGE CONTROL          | 28   |
| 9-4    | PRECAUTIONS FOR STRONG LIGHT EXPOSURE    | 28   |
| 9-5    | STORAGE                                  | 28   |
| 9-6    | HANDLING PRECAUTIONS FOR PROTECTION FILM | 28   |



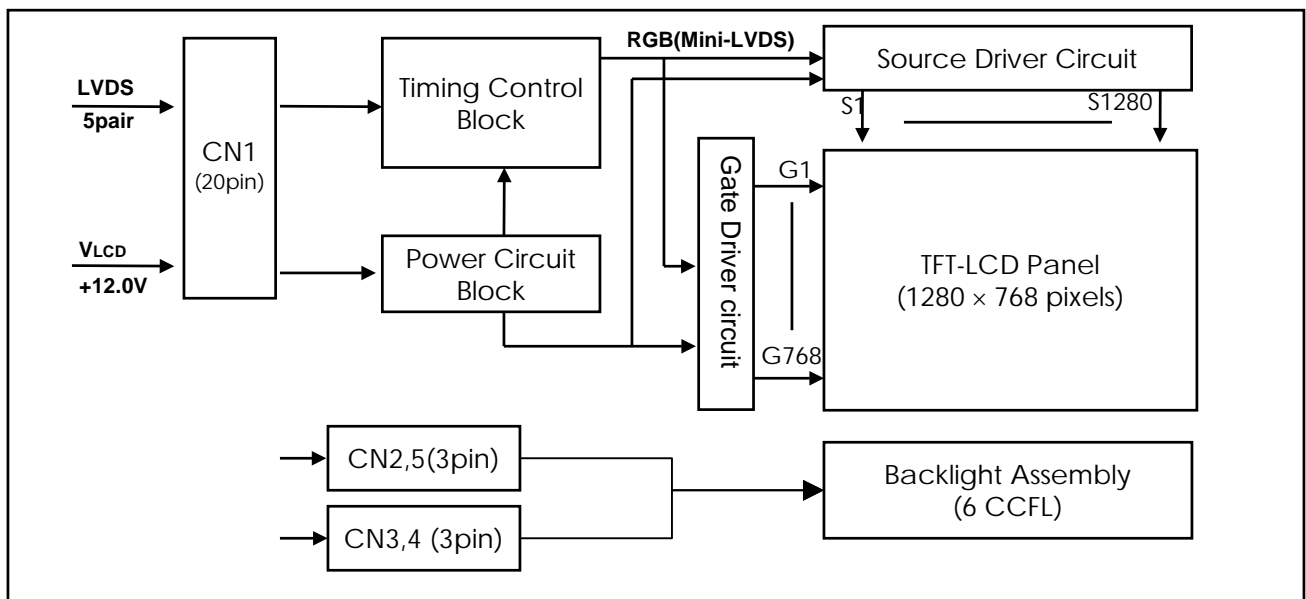
Product Specification

## 1. General Description

LC171W03 is a Color Active Matrix Liquid Crystal Display with an integral Cold Cathode Fluorescent Lamp(CCFL) backlight system. The matrix employs a-Si Thin Film Transistor as the active element. It is a transmissive type display operating in the normally black mode. It has a 17.1 inch diagonally measured active display area with WXGA resolution (768 vertical by 1280 horizontal pixel array) Each pixel is divided into Red, Green and Blue sub-pixels or dots which are arranged in vertical stripes. Gray scale or the brightness of the sub-pixel color is determined with a 8-bit gray scale signal for each dot, thus, a palette of more than 16,7M(true) colors.

It has been designed to apply the 8 bit LVDS interface.

It is intended to support LCD TV, PCTV where high brightness, wide viewing angle, high color saturation, and high color are important.



## General Features

|                        |   |
|------------------------|---|
| Active Screen Size     | 17.1 inches(434.38mm) diagonal                                      |
| Outline Dimension      | 400.0(H) x 258.0(V) x 22.0(D) mm(Typ.)                              |
| Pixel Pitch            | 0.291mm x 0.291mm   |
| Pixel Format           | 1280 horiz. By 768 vert. Pixels RGB stripe arrangement              |
| Color Depth            | 8-bits, 16,7M colors  |
| Luminance, White       | 450 cd/m <sup>2</sup> (Center 1 point (Typ.))                       |
| Viewing Angle (CR>10)  | Viewing Angle Free [R/L 176( Typ.), U/D 176(Typ.)]                  |
| Power Consumption      | Total 31.1 Watt(Typ.), ( 2.9 Watt@VLCD, 28.2 Watt@450cd/[LAMP=7mA]) |
| Weight                 | 2,500 g (Typ.) , 2,650 g (Max)                                      |
| Display Operating Mode | Transmissive mode, normally black                                   |
| Surface Treatment      | Hard coating(3H) & Anti-glare treatment of the front polarizer      |

Product Specification

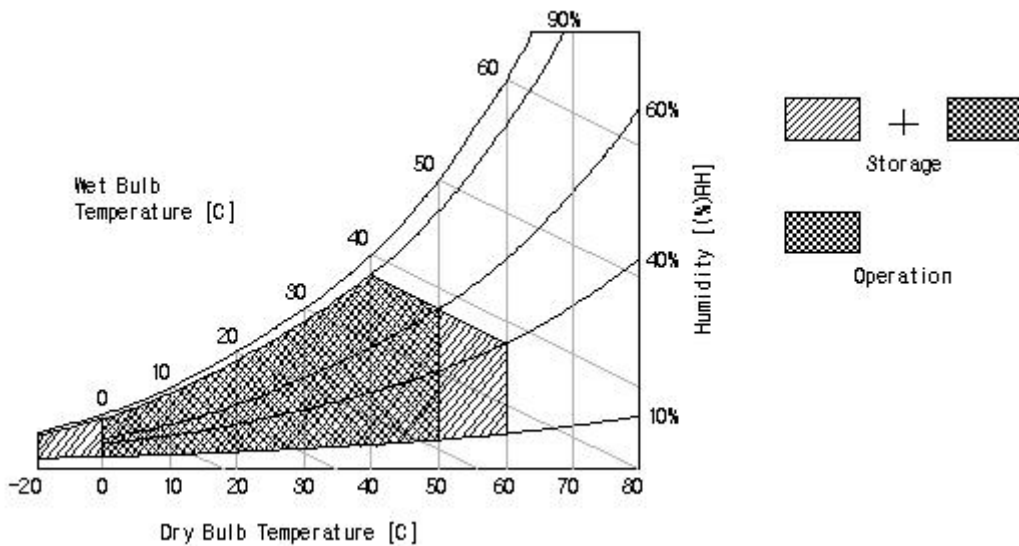
**2. Absolute Maximum Ratings**

The following items are maximum values which, if exceeded, may cause faulty operation or damage to the LCD module.

**Table 1. ABSOLUTE MAXIMUM RATINGS**

| Parameter                  | Symbol           | Values |       | Units            | Notes        |
|----------------------------|------------------|--------|-------|------------------|--------------|
|                            |                  | Min    | Max   |                  |              |
| Power Input Voltage        | V <sub>LCD</sub> | -0.3   | +14.0 | V <sub>d</sub> c | at 25 ± 2 °C |
| Operating Temperature      | T <sub>OP</sub>  | 0      | 50    | °C               | Note 1       |
| Storage Temperature        | T <sub>ST</sub>  | -20    | 60    | °C               |              |
| Operating Ambient Humidity | H <sub>OP</sub>  | 10     | 90    | %RH              |              |
| Storage Humidity           | H <sub>ST</sub>  | 10     | 90    | %RH              |              |

Note : 1. Temperature and relative humidity range are shown in the figure below.  
Wet bulb temperature should be 39 °C Max, and no condensation of water.



Product Specification

### 3. Electrical Specifications

#### 3-1. Electrical Characteristics

It requires two power inputs. One is employed to power the LCD electronics and to drive the TFT array and liquid crystal. The second input power for the CCFL /Backlight, is typically generated by an inverter. The inverter is an external unit to the LCDs.

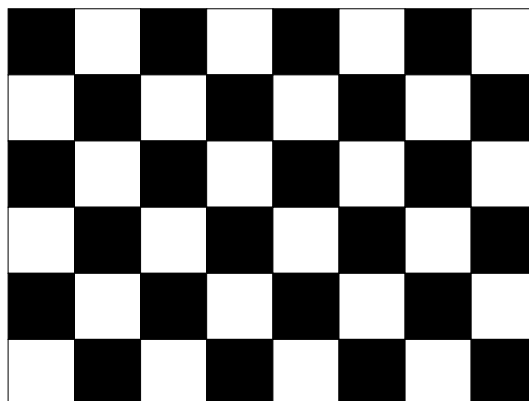
**Table 2-1. ELECTRICAL CHARACTERISTICS**

| Parameter                  | Symbol            | Values |      |      | Unit | Notes |
|----------------------------|-------------------|--------|------|------|------|-------|
|                            |                   | Min    | Typ  | Max  |      |       |
| MODULE :                   |                   |        |      |      |      |       |
| Power Supply Input Voltage | V <sub>LCD</sub>  | 11.4   | 12.0 | 12.6 | Vdc  |       |
| Power Supply Input Current | I <sub>LCD</sub>  | -      | 240  | 276  | mA   | 1     |
|                            |                   | -      | 315  | 410  | mA   | 2     |
| Power Consumption          | P <sub>LCD</sub>  | -      | 2.9  | 3.3  | Watt | 1     |
| Rush current               | I <sub>RUSH</sub> | -      | -    | 3.0  | A    | 3     |

Note :

1. The specified current and power consumption are under the  $V_{LCD}=12.0V$ ,  $25 \pm 2^{\circ}C$ ,  $f_v=60Hz$  condition whereas mosaic pattern(8 x 6) is displayed and  $f_v$  is the frame frequency.
2. The current is specified at the maximum current pattern.
3. The duration of rush current is about 2ms and rising time of power Input is 1ms(min.).

White : 255Gray  
Black : 0Gray



Mosaic Pattern(8 x 6)

## Product Specification

**Table 2-2. ELECTRICAL CHARACTERISTICS**

| Parameter                    | Symbol          | Values     |          |          | Unit              | Notes |
|------------------------------|-----------------|------------|----------|----------|-------------------|-------|
|                              |                 | Min        | Typ      | Max      |                   |       |
| LAMP :                       |                 |            |          |          |                   |       |
| Operating Voltage            | V <sub>BL</sub> | 660(7.5mA) | 670(7mA) | 770(3mA) | V <sub>RMS</sub>  | 1, 2  |
| Operating Current            | I <sub>BL</sub> | 3.0        | 7.0      | 7.5      | mA <sub>RMS</sub> | 1     |
| Established Starting Voltage | V <sub>s</sub>  |            |          |          |                   | 1, 3  |
|                              | at 25 °C        |            |          | 1,030    | V <sub>RMS</sub>  |       |
|                              | at 0 °C         |            |          | 1,340    | V <sub>RMS</sub>  |       |
| Operating Frequency          | f <sub>BL</sub> | 45         | 60       | 80       | kHz               | 4     |
| Discharge Stabilization Time | T <sub>s</sub>  |            |          | 3        | Min               | 1, 5  |
| Power Consumption            | P <sub>BL</sub> |            | 28.20    | 31.10    | Watt              | 6     |
| Life Time                    |                 | 50,000     |          |          | Hrs               | 1, 7  |

Note : The design of the inverter must have specifications for the lamp in LCD Assembly.

The performance of the Lamp in LCM, for example life time or brightness, is extremely influenced by the characteristics of the DC-AC inverter. So all the parameters of an inverter should be carefully designed so as not to produce too much leakage current from high-voltage output of the inverter.

When you design or order the inverter, please make sure unwanted lighting caused by the mismatch of the lamp and the inverter (no lighting, flicker, etc) never occurs. When you confirm it, the LCD-Assembly should be operated in the same condition as installed in you instrument.

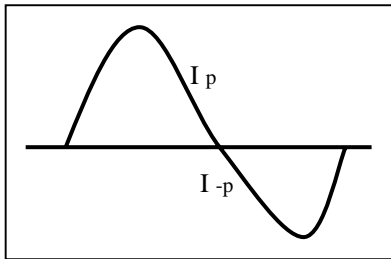
Do not attach a conducting tape to lamp connecting wire.

If the lamp wire attach to a conducting tape, TFT-LCD Module has a low luminance and the inverter has abnormal action. Because leakage current is occurred between lamp wire and conducting tape.

- Specified values are for a single lamp.
- Operating voltage is measured at  $25 \pm 2^\circ\text{C}$ . The variance of the voltage is  $\pm 10\%$ .
- The voltage above  $V_s$  should be applied to the lamps for more than 1 second for start-up.  
(Inverter open voltage must be more than lamp starting voltage.)  
Otherwise, the lamps may not be turned on. The used lamp current is the lamp typical current.
- Lamp frequency may produce interface with horizontal synchronous frequency and as a result this may cause beat on the display. Therefore lamp frequency shall be as away possible from the horizontal synchronous frequency and from its harmonics in order to prevent interference.
- Let's define the brightness of the lamp after being lighted for 5 minutes as 100%.  
 $T_s$  is the time required for the brightness of the center of the lamp to be not less than 95%.
- The lamp power consumption shown above does not include loss of external inverter.  
The used lamp current is the lamp typical current. ( $P_{BL} = V_{BL} \times I_{BL} \times N_{Lamp}$ )
- The life is determined as the time at which brightness of the lamp is 50% compared to that of initial value at the typical lamp current on condition of continuous operating at  $25 \pm 2^\circ\text{C}$ .

Product Specification

8. The output of the inverter must have symmetrical(negative and positive) voltage waveform and symmetrical current waveform (Unsymmetrical ratio is less than 10%). Please do not use the inverter which has unsymmetrical voltage and unsymmetrical current and spike wave.  
Requirements for a system inverter design, which is intended to have a better display performance, a better power efficiency and a more reliable lamp, are following.  
It shall help increase the lamp lifetime and reduce leakage current.
- The asymmetry rate of the inverter waveform should be less than 10%.
  - The distortion rate of the waveform should be within  $2 \pm 10\%$ .
- \* Inverter output waveform had better be more similar to ideal sine wave.



\* Asymmetry rate:

$$| I_p - I_{-p} | / I_{rms} \times 100\%$$

\* Distortion rate

$$I_p \text{ (or } I_{-p}) / I_{rms}$$

9. The inverter which is combined with this LCM, is highly recommended to connect coupling(ballast) condenser at the high voltage output side. When you use the inverter which has not coupling(ballast) condenser, it may cause abnormal lamp lighting because of biased mercury as time goes.
10. In case of edgy type back light with over 4 parallel lamps, input current and voltage wave form should be synchronized



Product Specification

### 3-2. Interface Connections

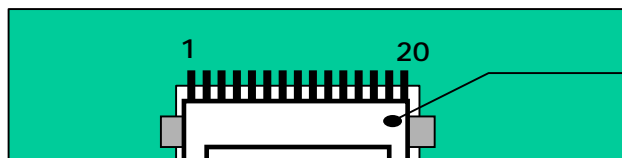
LCD Connector(CN1): GT123-20P-H16 (Manufactured by LG) or Equivalent  
Mating Connector : DF14-20S-1.25C (Manufactured by Hirose) or Equivalent

**Table 3. MODULE CONNECTOR(CN1) PIN CONFIGURATION**

| Pin No | Symbol           | Description                     | Polarity    | Output Pin #<br>(LVDS Tx) |
|--------|------------------|---------------------------------|-------------|---------------------------|
| 1      | V <sub>LCD</sub> | Power Supply +12.0V             |             |                           |
| 2      | V <sub>LCD</sub> | Power Supply +12.0V             |             |                           |
| 3      | GND              | Power Ground.                   |             |                           |
| 4      | GND              | Power Ground                    |             |                           |
| 5      | RXIN0-           | LVDS Receiver Signal(-)         | Negative    | PIN#48                    |
| 6      | RXIN0+           | LVDS Receiver Signal(+)         | Positive    | PIN#47                    |
| 7      | GND              | Ground                          |             |                           |
| 8      | RXIN1-           | LVDS Receiver Signal(-)         | Negative    | PIN#46                    |
| 9      | RXIN1+           | LVDS Receiver Signal(+)         | Positive    | PIN#45                    |
| 10     | GND              | Ground                          |             |                           |
| 11     | RXIN2-           | LVDS Receiver Signal(-)         | Negative    | PIN#42                    |
| 12     | RXIN2+           | LVDS Receiver Signal(+)         | Positive    | PIN#41                    |
| 13     | GND              | Ground                          |             |                           |
| 14     | RXCLK IN-        | LVDS Receiver Clock Signal(-)   | Negative    | PIN#40                    |
| 15     | RXCLK IN+        | LVDS Receiver Clock Signal(+)   | Positive    | PIN#39                    |
| 16     | GND              | Ground                          |             |                           |
| 17     | RXIN3-           | LVDS Receiver Signal(-)         | Negative    | PIN#38                    |
| 18     | RXIN3+           | LVDS Receiver Signal(+)         | Positive    | PIN#37                    |
| 19     | Mode             | Interlace image sticking option | +3.3V / GND |                           |
| 20     | GND              | Ground                          |             | <b>Note 1</b>             |

- Note:
1. 20th Pin should be ground.
  2. All GND(ground) pins should be connected together and to V<sub>SS</sub> which should also be connected to the LCD's metal frame.
  3. All V<sub>LCD</sub> (power input) pins should be connected together.
  4. Input Level of LVDS signal is based on the IEA 664 Standard.

Rear view of LCM



GT123-20P-H16(LG)

## Product Specification

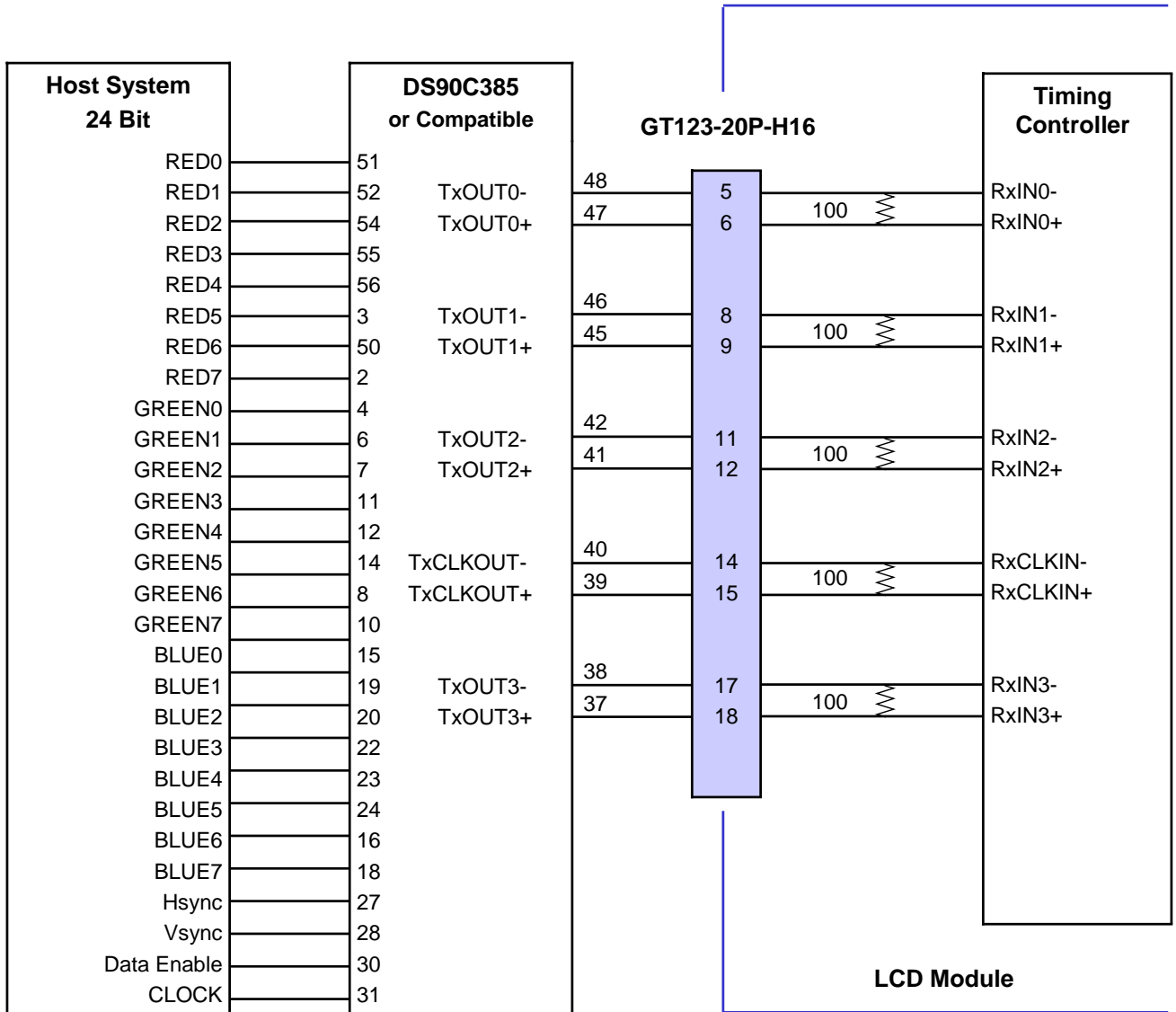
**Table 4. REQUIRED SIGNAL ASSIGNMENT FOR LVDS Transmitter (DS90C385 or Compatible)**

| Pin # | Pin Name | Symbol       | Description                   | Output       |
|-------|----------|--------------|-------------------------------|--------------|
| 51    | TxIN0    | Red0 [LSB]   | Red Pixel Data                | Rx0-<br>Rx0+ |
| 52    | TxIN1    | Red1         | Red Pixel Data                |              |
| 54    | TxIN2    | Red2         | Red Pixel Data                |              |
| 55    | TxIN3    | Red3         | Red Pixel Data                |              |
| 56    | TxIN4    | Red4         | Red Pixel Data                |              |
| 2     | TxIN5    | Red7 [MSB]   | Red Pixel Data                | Rx3-<br>Rx3+ |
| 3     | TxIN6    | Red5         | Red Pixel Data                | Rx0-<br>Rx0+ |
| 4     | TxIN7    | Green0 [LSB] | Green Pixel Data              |              |
| 6     | TxIN8    | Green1       | Green Pixel Data              | Rx1-<br>Rx1+ |
| 7     | TxIN9    | Green2       | Green Pixel Data              |              |
| 8     | TxIN10   | Green6       | Green Pixel Data              | Rx3-<br>Rx3+ |
| 10    | TxIN11   | Green7 [MSB] | Green Pixel Data              |              |
| 11    | TxIN12   | Green3       | Green Pixel Data              | Rx1-<br>Rx1+ |
| 12    | TxIN13   | Green4       | Green Pixel Data              |              |
| 14    | TxIN14   | Green5       | Green Pixel Data              |              |
| 15    | TxIN15   | Blue0 [LSB]  | Blue Pixel Data               | Rx3-<br>Rx3+ |
| 16    | TxIN16   | Blue6        | Blue Pixel Data               |              |
| 18    | TxIN17   | Blue7 [MSB]  | Blue Pixel Data               |              |
| 19    | TxIN18   | Blue1        | Blue Pixel Data               | Rx1-<br>Rx1+ |
| 20    | TxIN19   | Blue2        | Blue Pixel Data               | Rx2-<br>Rx2+ |
| 22    | TxIN20   | Blue3        | Blue Pixel Data               |              |
| 23    | TxIN21   | Blue4        | Blue Pixel Data               |              |
| 24    | TxIN22   | Blue5        | Blue Pixel Data               |              |
| 25    | TxIN23   | RES          |                               | Rx3-<br>Rx3+ |
| 27    | TxIN24   | Hsync        | No connection, If unnecessary | Rx2-<br>Rx2+ |
| 28    | TxIN25   | Vsync        | No connection, If unnecessary |              |
| 30    | TxIN26   | EN           | Data Enable                   |              |
| 50    | TxIN27   | Red6         | Red Pixel Data                | Rx3-<br>Rx3+ |

Notes : 1. Refer to LVDS Transmitter Data Sheet for detail descriptions.  
 2. 7 means MSB and 0 means LSB at R,G,B pixel data.

Product Specification

**Table 5. REQUIRED SIGNAL ASSIGNMENT FOR LVDS TRANSMITTER (DS90C385 or Compatible)**



Note: 1. The LCD Module uses a 100 Ohm [ ] resistor between positive and negative lines of each receiver input.

2. Refer to LVDS Transmitter Data Sheet for detail descriptions. (DS90C385 or Compatible)

3. '7' means MSB and '0' means LSB at R,G,B pixel data.

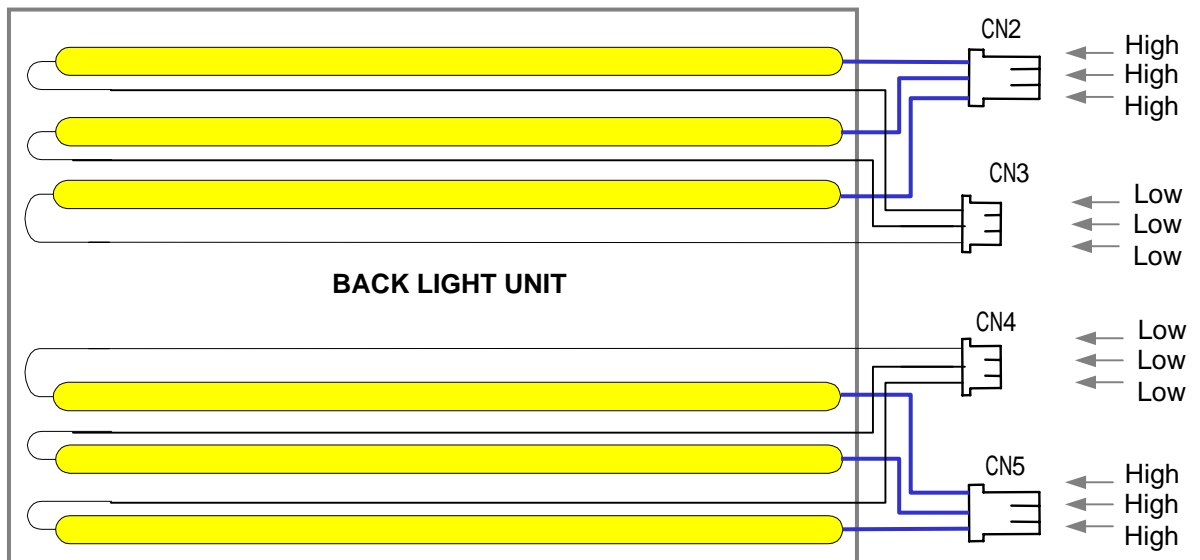
Product Specification

**Table 6. BACKLIGHT CONNECTOR PIN CONFIGURATION(CN2,CN3,CN4,CN5)**

The backlight interface connector is a model PHR-3(CN3/CN4) and BHR-03VS-1(CN2/CN5) manufactured by JST. The mating connector part number are S 3B-PH-KL (3pin), SM03(4.0)B-BHS-1-TB (3pin) or equivalent. The pin configuration for the connector is shown in the table below.

| No  | Pin | Symbol | Description   | Notes |
|-----|-----|--------|---|-------|
| CN2 | 1   | H1     | Power supply for lamp 1(High voltage side) -White     | 1     |
|     | 2   | H2     | Power supply for lamp 2 (High voltage side) -Sky Blue | 1     |
|     | 3   | H3     | Power supply for lamp 3 (High voltage side) -Gray     | 1     |
| CN3 | 1   | L1     | Power supply for lamp 1 (Low voltage side) -White     | 2     |
|     | 2   | L2     | Power supply for lamp 2 (Low voltage side) -Blue      | 2     |
|     | 3   | L3     | Power supply for lamp 3 (Low voltage side) -Black     | 2     |
| CN4 | 1   | L4     | Power supply for lamp 4 (Low voltage side) -White     | 2     |
|     | 2   | L5     | Power supply for lamp 5 (Low voltage side) -Blue      | 2     |
|     | 3   | L6     | Power supply for lamp 6 (Low voltage side) -Black     | 2     |
| CN5 | 1   | H4     | Power supply for lamp 4 (High voltage side) -White    | 1     |
|     | 2   | H5     | Power supply for lamp 5 (High voltage side) -Sky Blue | 1     |
|     | 3   | H6     | Power supply for lamp 6 (High voltage side) -Gray     | 1     |

- Notes: 1. The high voltage power terminal is colored white,sky blue,gray.  
2. The low voltage pin color is white,dark blue,black .



## Product Specification

### 3-3. Signal Timing Specifications

This is the signal timing required at the input of the User connector. All of the interface signal timing should be satisfied with the following specifications for its proper operation.

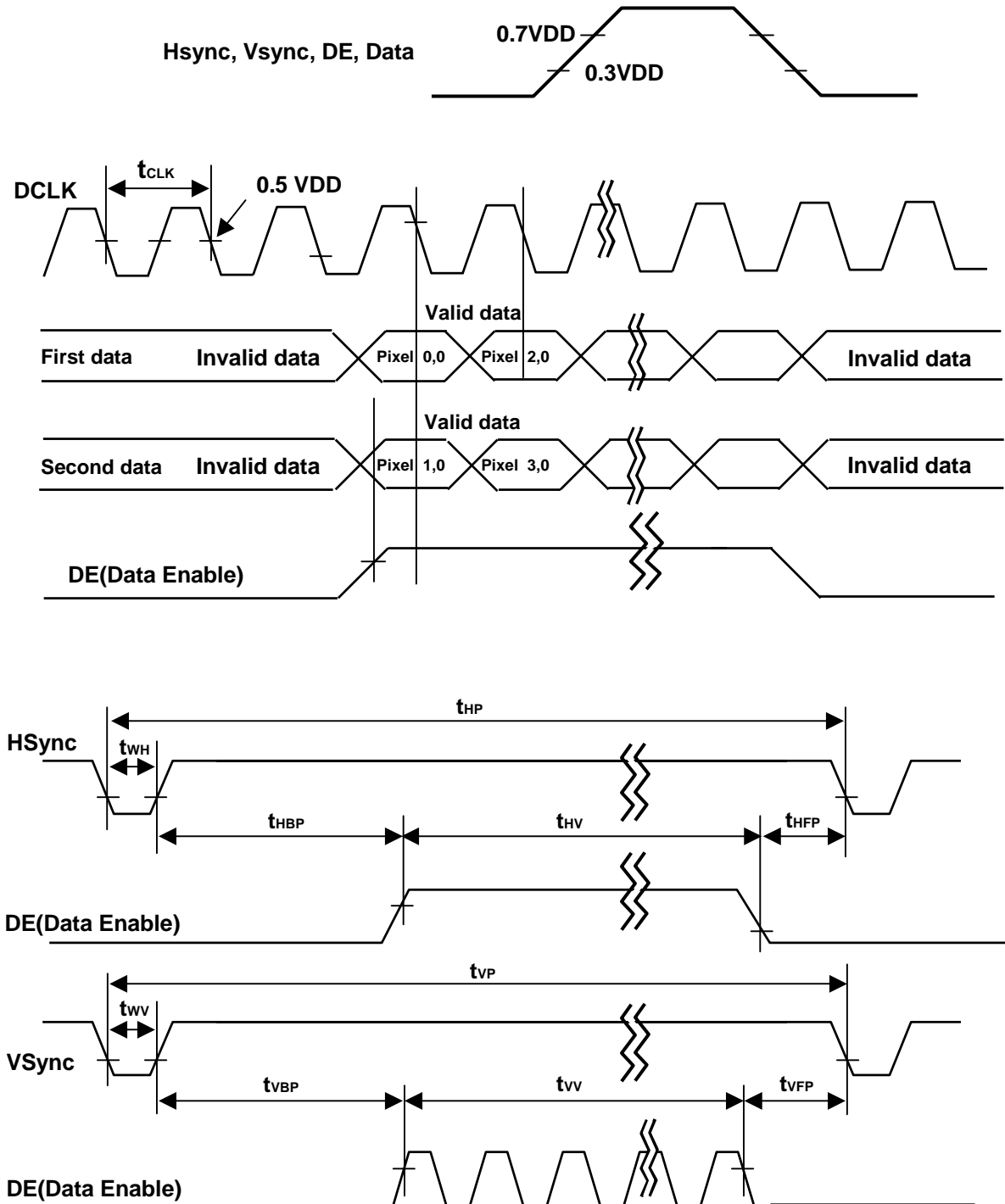
**Table 7. Timing Table**

| ITEM                | Symbol                 |      | Min   | Typ   | Max   | Unit | Note                                       |
|---------------------|------------------------|------|-------|-------|-------|------|--|
| DCLK                | Period                 | tCLK | 12.20 | 14.65 | 18.52 | ns   |  |
|                     | Frequency              |      | 54.00 | 68.25 | 82.00 | MHz  |  |
| Hsync               | Period                 | tHP  | 1328  | 1440  | 1800  | tCLK |  |
|                     | Width                  | tWH  | 16    | 32    | -     | tCLK |  |
| Vsync               | Period                 | tVP  | 773   | 790   | 1100  | tHP  | Note 1)<br>PAL : 47~53Hz<br>NTSC : 57~63Hz |
|                     | Frequency              | fV   | 47    | 60    | 63    | Hz   |  |
|                     | Width                  | tWV  | 2     | 7     | -     | tHP  |  |
| DE<br>(Data Enable) | Horizontal Valid       | tHV  | 1280  | 1280  | 1280  | tCLK |  |
|                     | Horizontal Back Porch  | tHBP | 16    | 80    | -     |      |  |
|                     | Horizontal Front Porch | tHFP | 16    | 48    | -     |      |  |
|                     | Horizontal Blank       | -    | 48    | 160   | -     |      |  |
|                     | Vertical Valid         | tVV  | 768   | 768   | 768   | tHP  |  |
|                     | Vertical Back Porch    | tVBP | 2     | 13    | -     |      |  |
|                     | Vertical Front Porch   | tVFP | 1     | 2     | -     |      |  |
|                     | Vertical Blank         | -    | 5     | 22    | -     |      |  |

Note : Hsync Period and Hsync Width should be even number times of tCLK. If the value is odd number times of tCLK, display control signal can be asynchronous. In order to operate the LCD, Hsync, Vsync and DE(Data Enable) signals should be used.

1. The performance of the electro-optical characteristics may be influenced by variance of the vertical refresh rate.
2. Vsync and Hsync should be keep the above specification.
3. Hsync Period, Hsync Width and Horizontal Back Porch should be any times of character number(8).

### 3-4. Signal Timing Waveforms



Product Specification

### 3-5. Color Input Data Reference

The Brightness of each primary color(red,green,blue) is based on the 8-bit gray scale data input for the color; the higher the binary input, the brighter the color. The table below provides a reference for color versus data input.

**Table 8. COLOR DATA REFERENCE**

| Color       |             | Input Color Data |    |    |    |     |    |    |    |       |    |    |    |     |    |    |    |      |    |    |    |     |    |    |    |
|-------------|-------------|------------------|----|----|----|-----|----|----|----|-------|----|----|----|-----|----|----|----|------|----|----|----|-----|----|----|----|
|             |             | RED              |    |    |    |     |    |    |    | GREEN |    |    |    |     |    |    |    | BLUE |    |    |    |     |    |    |    |
|             |             | MSB              |    |    |    | LSB |    |    |    | MSB   |    |    |    | LSB |    |    |    | MSB  |    |    |    | LSB |    |    |    |
|             |             | R7               | R6 | R5 | R4 | R3  | R2 | R1 | R0 | G7    | G6 | G5 | G4 | G3  | G2 | G1 | G0 | B7   | B6 | B5 | B4 | B3  | B2 | B1 | B0 |
| Basic Color | Black       | 0                | 0  | 0  | 0  | 0   | 0  | 0  | 0  | 0     | 0  | 0  | 0  | 0   | 0  | 0  | 0  | 0    | 0  | 0  | 0  | 0   | 0  | 0  | 0  |
|             | Red (255)   | 1                | 1  | 1  | 1  | 1   | 1  | 1  | 1  | 0     | 0  | 0  | 0  | 0   | 0  | 0  | 0  | 0    | 0  | 0  | 0  | 0   | 0  | 0  | 0  |
|             | Green (255) | 0                | 0  | 0  | 0  | 0   | 0  | 0  | 0  | 1     | 1  | 1  | 1  | 1   | 1  | 1  | 1  | 0    | 0  | 0  | 0  | 0   | 0  | 0  | 0  |
|             | Blue (255)  | 0                | 0  | 0  | 0  | 0   | 0  | 0  | 0  | 0     | 0  | 0  | 0  | 0   | 0  | 0  | 0  | 1    | 1  | 1  | 1  | 1   | 1  | 1  | 1  |
|             | Cyan        | 0                | 0  | 0  | 0  | 0   | 0  | 0  | 0  | 1     | 1  | 1  | 1  | 1   | 1  | 1  | 1  | 1    | 1  | 1  | 1  | 1   | 1  | 1  | 1  |
|             | Magenta     | 1                | 1  | 1  | 1  | 1   | 1  | 1  | 1  | 0     | 0  | 0  | 0  | 0   | 0  | 0  | 0  | 1    | 1  | 1  | 1  | 1   | 1  | 1  | 1  |
|             | Yellow      | 1                | 1  | 1  | 1  | 1   | 1  | 1  | 1  | 1     | 1  | 1  | 1  | 1   | 1  | 1  | 1  | 0    | 0  | 0  | 0  | 0   | 0  | 0  | 0  |
|             | White       | 1                | 1  | 1  | 1  | 1   | 1  | 1  | 1  | 1     | 1  | 1  | 1  | 1   | 1  | 1  | 1  | 1    | 1  | 1  | 1  | 1   | 1  | 1  | 1  |
| RED         | RED (000)   | 0                | 0  | 0  | 0  | 0   | 0  | 0  | 0  | 0     | 0  | 0  | 0  | 0   | 0  | 0  | 0  | 0    | 0  | 0  | 0  | 0   | 0  | 0  | 0  |
|             | RED (001)   | 0                | 0  | 0  | 0  | 0   | 0  | 0  | 1  | 0     | 0  | 0  | 0  | 0   | 0  | 0  | 0  | 0    | 0  | 0  | 0  | 0   | 0  | 0  | 0  |
|             | ...         | ...              |    |    |    |     |    |    |    | ...   |    |    |    |     |    |    |    | ...  |    |    |    |     |    |    |    |
|             | RED (254)   | 1                | 1  | 1  | 1  | 1   | 1  | 1  | 0  | 0     | 0  | 0  | 0  | 0   | 0  | 0  | 0  | 0    | 0  | 0  | 0  | 0   | 0  | 0  | 0  |
|             | RED (255)   | 1                | 1  | 1  | 1  | 1   | 1  | 1  | 1  | 0     | 0  | 0  | 0  | 0   | 0  | 0  | 0  | 0    | 0  | 0  | 0  | 0   | 0  | 0  | 0  |
| GREEN       | GREEN (000) | 0                | 0  | 0  | 0  | 0   | 0  | 0  | 0  | 0     | 0  | 0  | 0  | 0   | 0  | 0  | 0  | 0    | 0  | 0  | 0  | 0   | 0  | 0  | 0  |
|             | GREEN (001) | 0                | 0  | 0  | 0  | 0   | 0  | 0  | 0  | 0     | 0  | 0  | 0  | 0   | 0  | 0  | 1  | 0    | 0  | 0  | 0  | 0   | 0  | 0  | 0  |
|             | ...         | ...              |    |    |    |     |    |    |    | ...   |    |    |    |     |    |    |    | ...  |    |    |    |     |    |    |    |
|             | GREEN (254) | 0                | 0  | 0  | 0  | 0   | 0  | 0  | 0  | 1     | 1  | 1  | 1  | 1   | 1  | 1  | 0  | 0    | 0  | 0  | 0  | 0   | 0  | 0  | 0  |
|             | GREEN (255) | 0                | 0  | 0  | 0  | 0   | 0  | 0  | 0  | 1     | 1  | 1  | 1  | 1   | 1  | 1  | 1  | 0    | 0  | 0  | 0  | 0   | 0  | 0  | 0  |
| BLUE        | BLUE (000)  | 0                | 0  | 0  | 0  | 0   | 0  | 0  | 0  | 0     | 0  | 0  | 0  | 0   | 0  | 0  | 0  | 0    | 0  | 0  | 0  | 0   | 0  | 0  | 0  |
|             | BLUE (001)  | 0                | 0  | 0  | 0  | 0   | 0  | 0  | 0  | 0     | 0  | 0  | 0  | 0   | 0  | 0  | 0  | 0    | 0  | 0  | 0  | 0   | 0  | 0  | 1  |
|             | ...         | ...              |    |    |    |     |    |    |    | ...   |    |    |    |     |    |    |    | ...  |    |    |    |     |    |    |    |
|             | BLUE (254)  | 0                | 0  | 0  | 0  | 0   | 0  | 0  | 0  | 0     | 0  | 0  | 0  | 0   | 0  | 0  | 0  | 1    | 1  | 1  | 1  | 1   | 1  | 1  | 0  |
|             | BLUE (255)  | 0                | 0  | 0  | 0  | 0   | 0  | 0  | 0  | 0     | 0  | 0  | 0  | 0   | 0  | 0  | 0  | 1    | 1  | 1  | 1  | 1   | 1  | 1  | 1  |

**Note :** Users should be input true 8 Bit data streams via LVDS transmitter.

Product Specification

3-6. Power Sequence

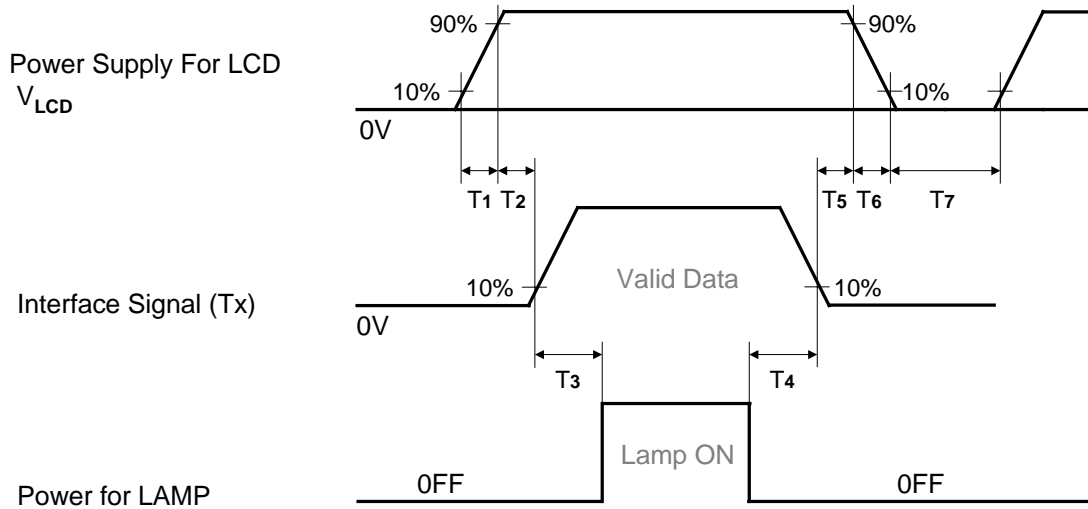


Table 9. POWER SEQUENCE

| Parameter | Values |     |     | Units |
|-----------|--------|-----|-----|-------|
|           | Min    | Typ | Max |       |
| T1        | 0.5    | -   | 10  | ms    |
| T2        | 0.5    | -   | 50  | ms    |
| T3        | 200    | -   | -   | ms    |
| T4        | 200    | -   | -   | ms    |
| T5        | 0.5    | -   | 50  | ms    |
| T6        | -      | -   | 100 | ms    |
| T7        | 1      | -   | -   | s     |

- Notes :
1. Please avoid floating state of interface signal at invalid period.
  2. When the interface signal is invalid, be sure to pull down the power supply for LCD  $V_{LCD}$  to 0V.
  3. Lamp power must be turn on after power supply for LCD an interface signal are valid.



Product Specification

### 4. Optical Specification

Optical characteristics are determined after the unit has been 'ON' and stable for approximately 30Min in a dark environment at  $25 \pm 2^\circ\text{C}$ . The values are specified at an approximate distance 50cm from the LCD surface at a viewing angle of  $\Phi$  and  $\theta$  equal to  $0^\circ$ .

It is presented additional information concerning the measurement equipment and method in FIG. 1.

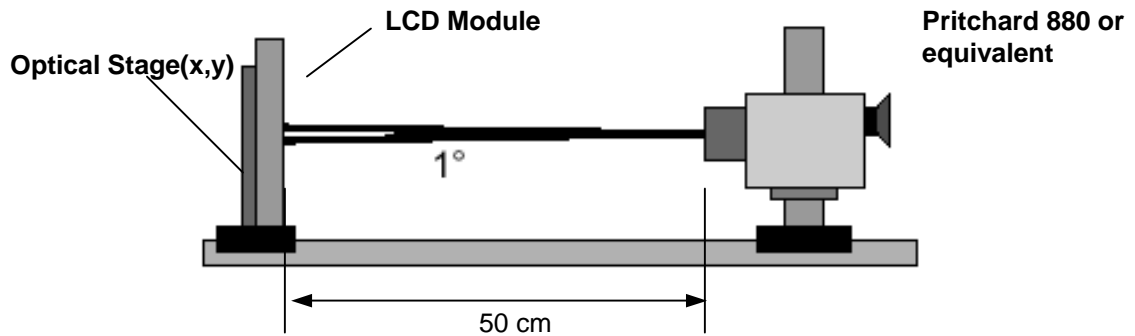


FIG. 1 Optical Characteristic Measurement Equipment and Method

Table 10. OPTICAL CHARACTERISTICS

$T_a = 25 \pm 2^\circ\text{C}$ ,  $V_{LCD} = 12.0\text{V}$ ,  $f_v = 60\text{Hz}$ ,  $D_{clk} = 68.25\text{MHz}$ ,  $I_{BL} = 7\text{mA}$

| Parameter                      | Symbol                            | Values     |              |       | Units           | Notes  |   |
|--------------------------------|-----------------------------------|------------|--------------|-------|-----------------|--------|---|
|                                |                                   | Min        | Typ          | Max   |                 |        |   |
| Contrast Ratio                 | CR                                | 420        | 600          | -     |                 | 1      |   |
| Surface Luminance, white       | $L_{WH}$                          | 360        | 450          | -     | $\text{cd/m}^2$ | 2      |   |
| Luminance Variation            | $\delta_{WHITE}$   5P             |            |              | 1.3   |                 | 3      |   |
| Response Time                  | Rise Time                         | $Tr_R$     | -            | 12    | 20              | ms     | 4 |
|                                | Decay Time                        | $Tr_D$     | -            | 13    | 20              | ms     | 4 |
| Color Coordinates<br>[CIE1931] | RED                               | $R_x$      | Typ<br>-0.03 | 0.633 | Typ<br>+0.03    |        |   |
|                                |                                   | $R_y$      |              | 0.341 |                 |        |   |
|                                | GREEN                             | $G_x$      |              | 0.280 |                 |        |   |
|                                |                                   | $G_y$      |              | 0.603 |                 |        |   |
|                                | BLUE                              | $B_x$      |              | 0.145 |                 |        |   |
|                                |                                   | $B_y$      |              | 0.069 |                 |        |   |
|                                | WHITE                             | $W_x$      |              | 0.289 |                 |        |   |
|                                |                                   | $W_y$      |              | 0.303 |                 |        |   |
| Viewing Angle (CR>10)          |                                   |            |              |       |                 |        |   |
|                                | x axis, right ( $\phi=0^\circ$ )  | $\theta_r$ | 85           | 89    |                 | degree | 5 |
|                                | x axis, left ( $\phi=180^\circ$ ) | $\theta_l$ | 85           | 89    |                 |        |   |
|                                | y axis, up ( $\phi=90^\circ$ )    | $\theta_u$ | 85           | 89    |                 |        |   |
|                                | y axis, down ( $\phi=270^\circ$ ) | $\theta_d$ | 85           | 89    |                 |        |   |
| Gray Scale                     |                                   |            |              | -     |                 |        | 6 |

Product Specification

Note :

1. Contrast Ratio(CR) is defined mathematically as :

$$\text{Contrast Ratio} = \frac{\text{Surface Luminance with all white pixels}}{\text{Surface Luminance with all black pixels}}$$

It is measured at center 1-point.

2. Surface Luminance( $L_{WH}$ ) is the luminance value at center 1-point across the LCD surface 50cm from the surface with all pixels displaying white. For more information see the FIG. 2.

3. The variation of surface luminance ,  $\delta$  WHITE is defined as :

$$\delta \text{ WHITE}(5P) = \text{Maximum}(L_{on1}, L_{on2}, L_{on3}, L_{on4}, L_{on5}) / \text{Minimum}(L_{on1}, L_{on2}, L_{on3}, L_{on4}, L_{on5})$$

Where  $L_{on1}$  to  $L_{on5}$  are the luminance with all pixels displaying white at 5 locations .

For more information, see the FIG. 2.

4. Response time is the time required for the display to transition from G(N) to G(M) (Rise Time,  $Tr_R$ ) and from G(M) to G(N) (Decay Time,  $Tr_D$ ). For additional information see the FIG. 3. ( $N < M$ )
5. Viewing angle is the angle at which the contrast ratio is greater than 10. The angles are determined for the horizontal or x axis and the vertical or y axis with respect to the z axis which is normal to the LCD module surface. For more information, see the FIG. 4.
6. Gray scale specification  
Gamma Value is approximately 2.2. For more information, see the Table 12.

**Table 12. GRAY SCALE SPECIFICATION**

| Gray Level | Luminance [%] (Typ) |
|------------|---------------------|
| L0         | 0.17                |
| L15        | 0.30                |
| L31        | 1.02                |
| L47        | 2.59                |
| L63        | 5.18                |
| L79        | 8.51                |
| L95        | 12.6                |
| L111       | 17.2                |
| L127       | 21.9                |
| L143       | 28.2                |
| L159       | 35.5                |
| L175       | 43.6                |
| L191       | 52.2                |
| L207       | 63.4                |
| L223       | 75.1                |
| L239       | 87.5                |
| L255       | 100.00              |

Product Specification

Measuring point for surface luminance & measuring point for luminance variation

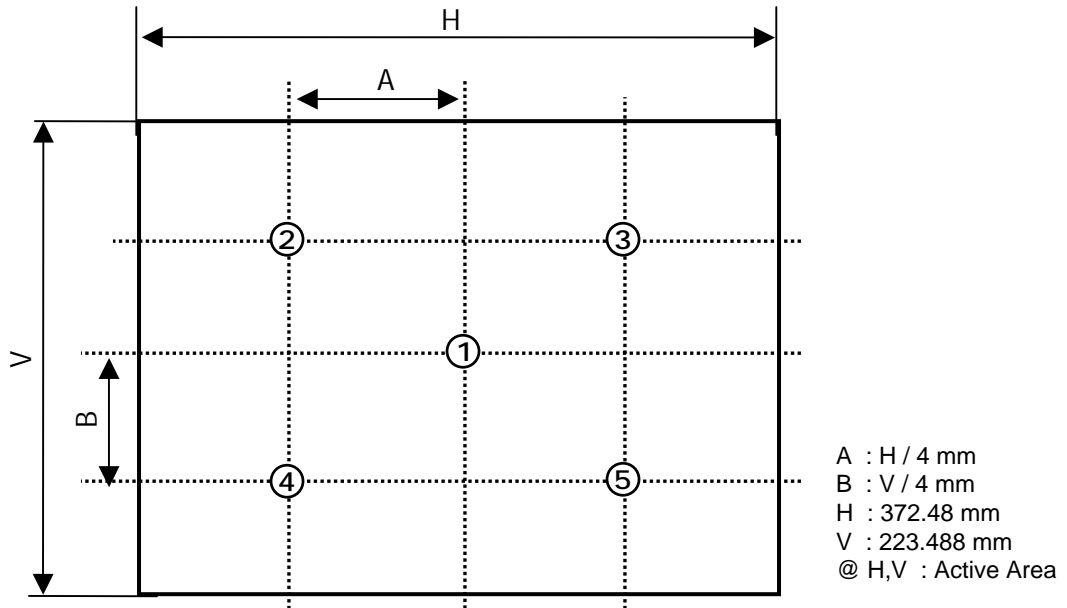


FIG. 2 Measure Point for Luminance

The response time is defined as the following figure and shall be measured by switching the input signal for "black" and "white".

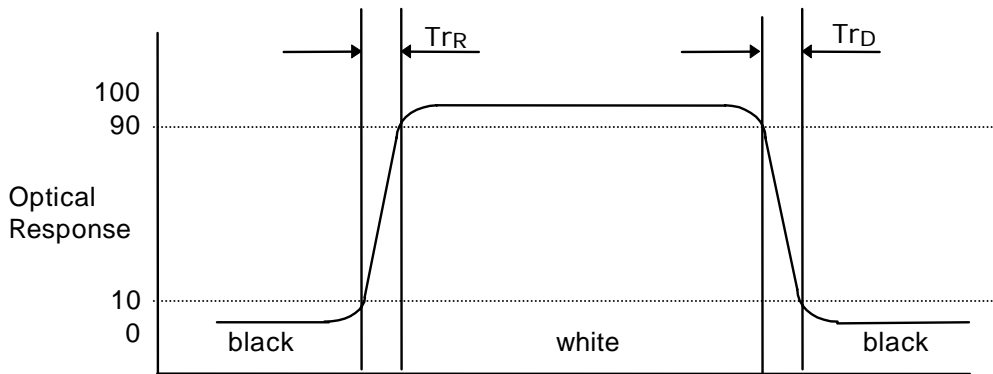


FIG. 3 Response Time

Product Specification

Dimension of viewing angle range

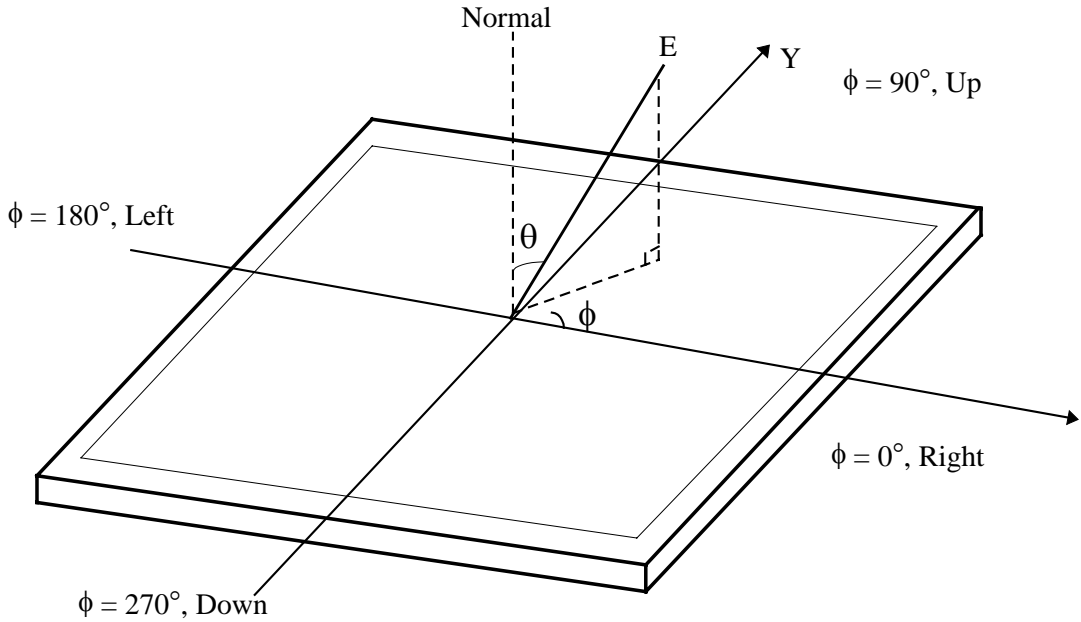


FIG. 4 Viewing Angle

Product Specification

### 5. Mechanical Characteristics

The contents provide general mechanical characteristics. In addition the figures in the next page are detailed mechanical drawing of the LCD.

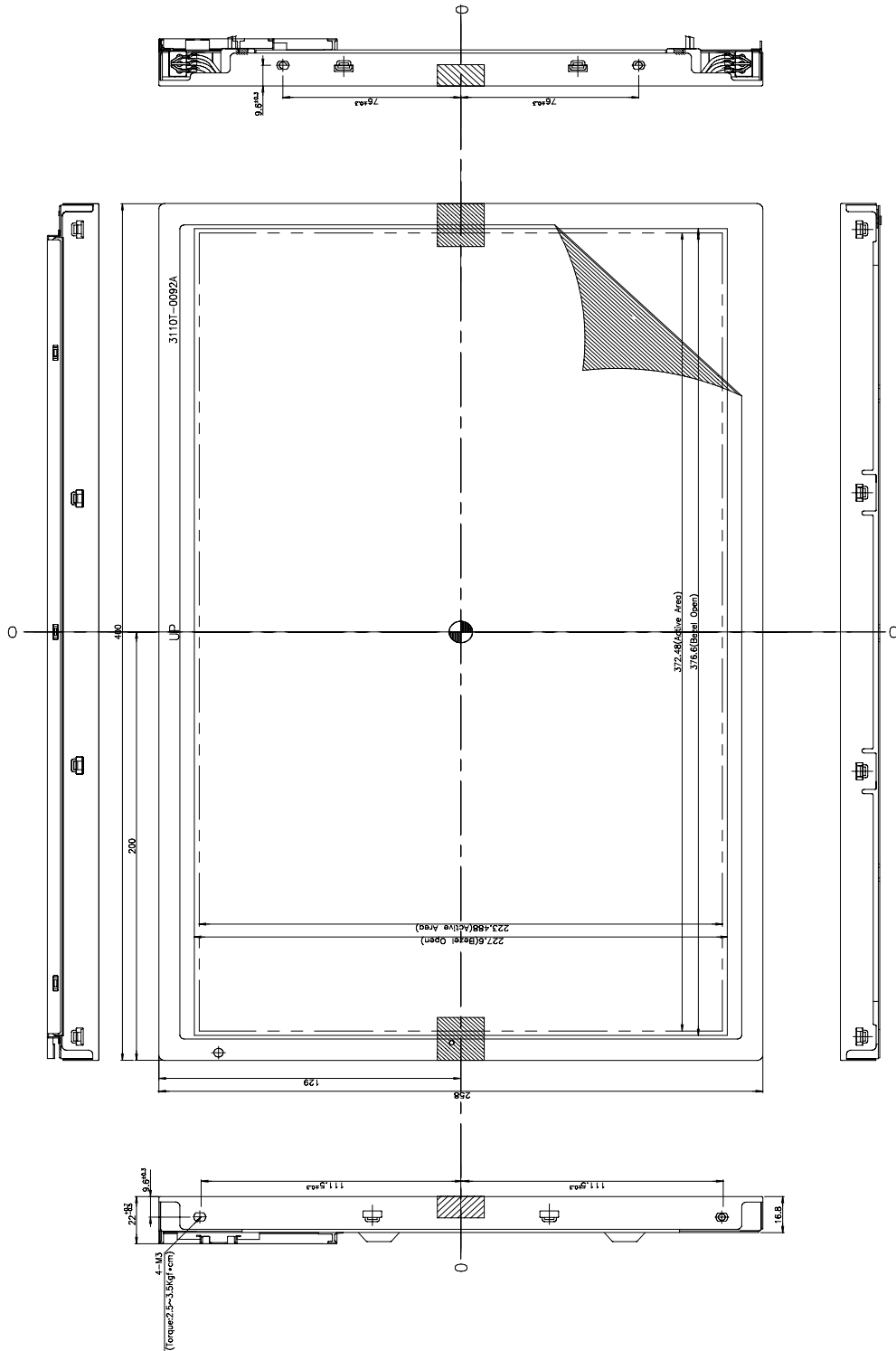
**Table 12. MECHANICAL CHARACTERISTICS**

|                     |   |            |
|---------------------|---|------------|
| Outline Dimension   | Horizontal  | 400.0 mm   |
|                     | Vertical  | 258.0 mm   |
|                     | Depth   | 22.0 mm    |
| Bezel Area          | Horizontal  | 376.6 mm   |
|                     | Vertical  | 227.6 mm   |
| Active Display Area | Horizontal  | 372.48 mm  |
|                     | Vertical  | 223.488 mm |
| Weight              | 2500g (Typ.), 2650g(Max)  |            |
| Surface Treatment   | Hard coating(3H)<br>Anti-glare treatment of the front polarizer |            |

Notes : Please refer to a mechanic drawing in terms of tolerance at the next page.

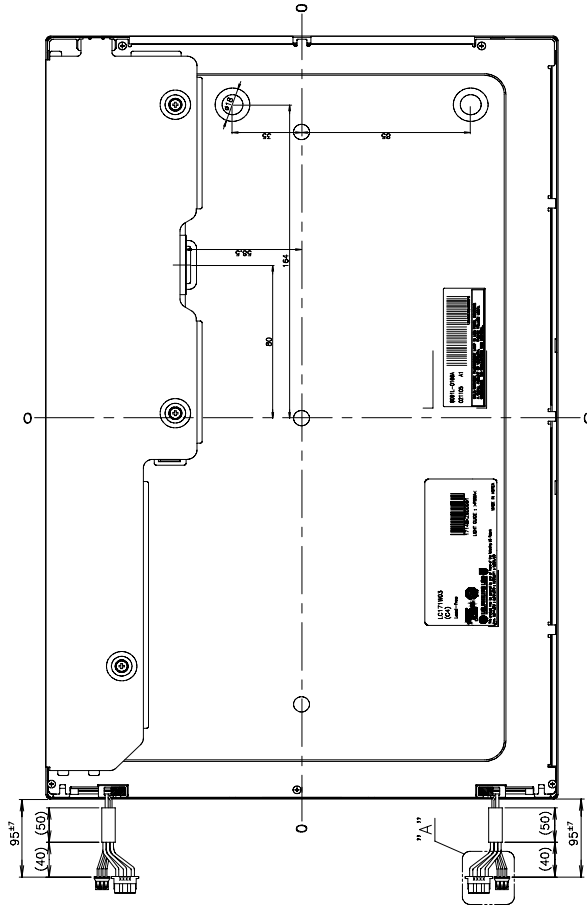
Product Specification

<FRONT VIEW>



Product Specification

<REAR VIEW>



NOTES

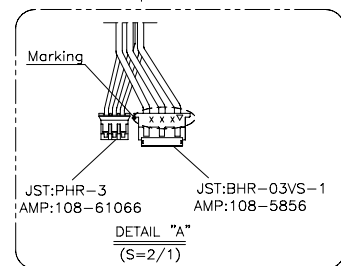
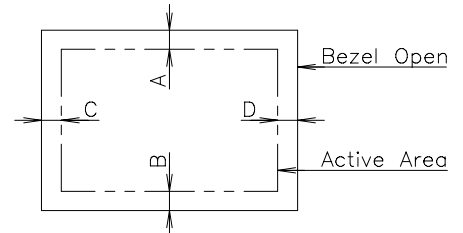
1. Unspecified tolerances to be  $\pm 0.5$
2. Gap between Case Top Ass'y and Glass is  $0.3^{+0.5}_{-0.3}$
3. Backlight cables and contraction tubes are excluded from outline dimensions.

4. Tilt and partial disposition tolerance of display area as following.

- (1) Y-Direction :  $|A-B| < 1$
- (2) X-Direction :  $|C-D| < 1$

5. Lamp(CCFL) lot No. is marked at backlight connector.

6. Do not wind conductive tape around the backlight wires.



## Product Specification

## 6. Reliability

**Table 13. ENVIRONMENT TEST CONDITION**

| No | Test Item                                   | Condition   |
|----|---|---|
| 1  | High temperature storage test               | Ta= 60°C 240h   |
| 2  | Low temperature storage test                | Ta= -20°C 240h  |
| 3  | High temperature operation test             | Ta= 50°C 50%RH 240h   |
| 4  | Low temperature operation test              | Ta= 0°C 240h  |
| 5  | Vibration test<br>(non-operating)           | Wave form : random<br>Vibration level : 1.0G RMS<br>Bandwidth : 10-500Hz<br>Duration : X,Y,Z, 20 min<br>One time each direction |
| 6  | Shock test<br>(non-operating)               | Shock level : 100G<br>Waveform : half sine wave, 2ms<br>Direction : ± X, ± Y, ± Z<br>One time each direction                    |
| 7  | Altitude<br>operating<br>storage / shipment | 0 - 10,000 feet(3048m)<br>0 - 40,000 feet(12,192m)  |



## 7. International standards

### 7-1. Safety

- a) UL 60950, Third Edition, Underwriters Laboratories, Inc., Dated Dec. 11, 2000.  
Standard for Safety of Information Technology Equipment, Including Electrical Business Equipment.
- b) CAN/CSA C22.2, No. 60950, Third Edition, Canadian Standards Association, Dec. 1, 2000.  
Standard for Safety of Information Technology Equipment, Including Electrical Business Equipment.
- c) EN 60950 : 2000, Third Edition  
IEC 60950 : 1999, Third Edition  
European Committee for Electrotechnical Standardization(CENELEC)  
EUROPEAN STANDARD for Safety of Information Technology Equipment Including Electrical Business Equipment.

### 7-2. EMC

- a) ANSI C63.4 "Methods of Measurement of Radio-Noise Emissions from Low-Voltage Electrical and Electrical Equipment in the Range of 9kHz to 40GHz. "American National Standards Institute(ANSI), 1992
- b) C.I.S.P.R "Limits and Methods of Measurement of Radio Interface Characteristics of Information Technology Equipment." International Special Committee on Radio Interference.
- c) EN 55022 "Limits and Methods of Measurement of Radio Interface Characteristics of Information Technology Equipment." European Committee for Electrotechnical Standardization.(CENELEC), 1998 ( Including A1: 2000 )

Product Specification

## 8. Packing

### 8-1. Designation of Lot Mark

a) Lot Mark

|   |   |   |   |   |   |   |   |   |   |   |   |   |
|---|---|---|---|---|---|---|---|---|---|---|---|---|
| A | B | C | D | E | F | G | H | I | J | K | L | M |
|---|---|---|---|---|---|---|---|---|---|---|---|---|

A,B,C : SIZE(INCH)

D : YEAR

F : PANEL CODE

H : ASSEMBLY CODE

E : MONTH

G : FACTORY CODE

I,J,K,L,M : SERIAL NO.

Note

1. Year

|      |    |    |    |      |      |      |      |      |      |      |      |
|------|----|----|----|------|------|------|------|------|------|------|------|
| Year | 97 | 98 | 99 | 2000 | 2001 | 2002 | 2003 | 2004 | 2005 | 2006 | 2007 |
| Mark | 7  | 8  | 9  | 0    | 1    | 2    | 3    | 4    | 5    | 6    | 7    |

2. Month

|       |     |     |     |     |     |     |     |     |     |     |     |     |
|-------|-----|-----|-----|-----|-----|-----|-----|-----|-----|-----|-----|-----|
| Month | Jan | Feb | Mar | Apr | May | Jun | Jul | Aug | Sep | Oct | Nov | Dec |
| Mark  | 1   | 2   | 3   | 4   | 5   | 6   | 7   | 8   | 9   | A   | B   | C   |

3. Panel Code

|            |            |            |            |            |            |             |
|------------|------------|------------|------------|------------|------------|-------------|
| Panel Code | P1 Factory | P2 Factory | P3 Factory | P4 Factory | P5 Factory | Hydis Panel |
| Mark       | 1          | 2          | 3          | 4          | 5          | H           |

4. Factory Code

|              |          |             |
|--------------|----------|-------------|
| Factory Code | LPL Gumi | LPL Nanjing |
| Mark         | K        | C           |

5. Serial No

|            |               |                               |
|------------|---------------|-------------------------------|
| Serial No. | 1 ~ 99,999    | 100,000 ~                     |
| Mark       | 00001 ~ 99999 | A0001 ~ A9999, - - - -, Z9999 |

b) Location of Lot Mark

Serial NO. is printed on the label. The label is attached to the backside of the LCD module.  
This is subject to change without prior notice.

### 8-2. Packing Form

a) Package quantity in one box : 5 pcs

b) Box Size : 490mm × 277mm × 322mm

## 9. Precautions

Please pay attention to the followings when you use this TFT LCD module.

### 9-1. Mounting Precautions

- (1) You must mount a module using holes arranged in four corners or four sides.
- (2) You should consider the mounting structure so that uneven force (ex. Twisted stress) is not applied to the module. And the case on which a module is mounted should have sufficient strength so that external force is not transmitted directly to the module.
- (3) Please attach the surface transparent protective plate to the surface in order to protect the polarizer. Transparent protective plate should have sufficient strength in order to resist external force.
- (4) You should adopt radiation structure to satisfy the temperature specification.
- (5) Acetic acid type and chlorine type materials for the cover case are not desirable because the former generates corrosive gas of attacking the polarizer at high temperature and the latter causes circuit break by electro-chemical reaction.
- (6) Do not touch, push or rub the exposed polarizers with glass, tweezers or anything harder than HB pencil lead. And please do not rub with dust clothes with chemical treatment. Do not touch the surface of polarizer for bare hand or greasy cloth.(Some cosmetics are detrimental to the polarizer.)
- (7) When the surface becomes dusty, please wipe gently with absorbent cotton or other soft materials like chamois soaks with petroleum benzene. Normal-hexane is recommended for cleaning the adhesives used to attach front / rear polarizers. Do not use acetone, toluene and alcohol because they cause chemical damage to the polarizer.
- (8) Wipe off saliva or water drops as soon as possible. Their long time contact with polarizer causes deformations and color fading.
- (9) Do not open the case because inside circuits do not have sufficient strength.

### 9-2. Operating Precautions

- (1) The spike noise causes the mis-operation of circuits. It should be lower than following voltage :  
 $V = \pm 200\text{mV}$ (Over and under shoot voltage)
- (2) Response time depends on the temperature.(In lower temperature, it becomes longer.)
- (3) Brightness depends on the temperature. (In lower temperature, it becomes lower.)  
And in lower temperature, response time(required time that brightness is stable after turned on) becomes longer.
- (4) Be careful for condensation at sudden temperature change. Condensation makes damage to polarizer or electrical contacted parts. And after fading condensation, smear or spot will occur.
- (5) When fixed patterns are displayed for a long time, remnant image is likely to occur.
- (6) Module has high frequency circuits. Sufficient suppression to the electromagnetic interference shall be done by system manufacturers. Grounding and shielding methods may be important to minimized the interference.
- (7) Please do not give any mechanical and/or acoustical impact to LCM. Otherwise, LCM can't be operated its full characteristics perfectly.
- (8) A screw which is fastened up the steels should be a machine screw.  
(if not, it causes metallic foreign material and deal LCM a fatal blow)
- (9) Please do not set LCD on its edge.

### 9-3. Electrostatic Discharge Control

Since a module is composed of electronic circuits, it is not strong to electrostatic discharge. Make certain that treatment persons are connected to ground through wrist band etc. And don't touch interface pin directly.

### 9-4. Precautions for Strong Light Exposure

Strong light exposure causes degradation of polarizer and color filter.

### 9-5. Storage

When storing modules as spares for a long time, the following precautions are necessary.

- (1) Store them in a dark place. Do not expose the module to sunlight or fluorescent light. Keep the temperature between 5°C and 35°C at normal humidity.
- (2) The polarizer surface should not come in contact with any other object.  
It is recommended that they be stored in the container in which they were shipped.

### 9-6. Handling Precautions for Protection Film

- (1) The protection film is attached to the bezel with a small masking tape.  
When the protection film is peeled off, static electricity is generated between the film and polarizer.  
This should be peeled off slowly and carefully by people who are electrically grounded and with well ion-blown equipment or in such a condition, etc.
- (2) When the module with protection film attached is stored for a long time, sometimes there remains a very small amount of glue still on the bezel after the protection film is peeled off.
- (3) You can remove the glue easily. When the glue remains on the bezel surface or its vestige is recognized, please wipe them off with absorbent cotton waste or other soft material like chamois soaked with normal-hexane.

Product Specification

**Warranty for Non-Inclusion of Hazardous Substances  
in Products (ver.4.1)**

Our company hereby warrants and guarantees that all of or part of products, including, but not limited to, the peripherals, accessories or (including your subsidiaries and affiliated company) directly or packages, manufactured and/ or delivered to your company indirectly by our company (including our subsidiaries or affiliated companies) are free from any of the substances listed in your company's Technology Standard or its subsequent revision, including the following articles.

1. Our company actually cooperates with environment-friendly policy pushed by your company and follows the total abolition schedule of Pb, Cd, Cr+6, Hg, PBB and PBDEs proposed by Hazardous substances management standard in your company
2. Our company don't excessively enclose to the noxious material including Cd, Pb in products and parts supporting to the department of DID in LG electronics. If the environmental accident is occurred by our company's mistake and insufficient improvement, acts on our company's responsibility
3. Our company ensure that all of information submitted to your company is not arbitrary estimation and is to the exact document based on reliable data.

By attached Data, Our company warrants this products confirm to following requirements.(Check each applicable item)

Pb Free Soldering     Pb Free     RoHS Free     TCO '03

Definition :

- Pb Free Soldering : Parts must meet DID's Heat resistance condition.  
(Reflow Type:250℃,10sec, Flow Type : 260℃,10sec)
- Pb Free : Lead wire plating is Pb Free(Pb content < 1,000ppm) and inner contact point and Body itself don't contain Pb(Pb content < 1,000ppm)
- RoHS Free : Part does not contain Pb,Cd,Cr+6,Hg,PBBs and PBDEs(Cd<100ppm,Others<1,000ppm) and supplier must submit evidences(ICP,AAS,UV-Vis,GC) certificated by authorised agency
- TCO '03 : Part meet TCO '03 and LG electronics requirement  
(Cd<5ppm, Pb<50ppm, Hg<2ppm, Cr+6,PBBs,PBDEs<100)

**Company name :** *LG Philips LCD*  
**Date :** *Jan. 11. 2007*  
**Representative :** *Mun-Cheol Jung*  
**Signature :** *[Signature]*