

LM057QC1T01

Color STN LCD Module

(Model Number: LM057QC1T01)

Specifications

Spec No.: LC99916B

Dated: May 31. 2002

NOTICE

This publication is the proprietary of SHARP and is copyrighted, with all rights reserved. Under the copyright laws, no part of this publication may be reproduced or transmitted in any form or by any means, electronic or mechanical for any purpose, in whole or in part, without the express written permission of SHARP. Express written permission is also required before any use of this publication may be made by a third party.

The application circuit examples in this publication are provided to explain the representative applications of SHARP's devices and are not intended to guarantee any circuit design or permit any industrial property right or other rights to be executed. SHARP takes no responsibility for any problems related to any industrial property right or a third party resulting from the use of SHARP's devices, except for those resulting directly from device manufacturing processes.

In the absence of confirmation by device specification sheets, SHARP takes no responsibility for any defects that occur in equipment using any of SHARP's devices, shown in catalogs, data books, etc. Contact SHARP in order to obtain the latest device specification sheets before using any SHARP's device.

SHARP reserves the right to make changes in the specifications, characteristics, data, materials, structures and other contents described herein at any time without notice in order to improve design or reliability. Contact SHARP in order to obtain the latest specification sheets before using any SHARP's device. Manufacturing locations are also subject to change without notice.

Observe the following points when using any device in this publication. SHARP takes no responsibility for damage caused by improper use of the devices.

The devices in this publication are designed for use in general electronic equipment designs, such as:

- Automotive auxiliary information display
- Automotive audio visual equipment

The appropriate design measures should be taken to ensure reliability and safety when SHARP's devices are used for equipment such as:

- Transportation control and safety equipment(i.e., aircraft, trains, automobiles, etc.)
- Traffic signals • Gas leakage sensor breakers
- Alarm equipment • Various safety devices etc.

SHARP's devices shall not be used for equipment that requires extremely high level of reliability, such as:

- Military and space applications • Nuclear power control equipment
- Medical equipment for life support

Contact a SHARP representative, in advance, when intending to use SHARP's devices for any "specific" applications other than those recommended by SHARP.

Contact and consult with a SHARP representative if there are any questions about the contents of this publication.

○Contents

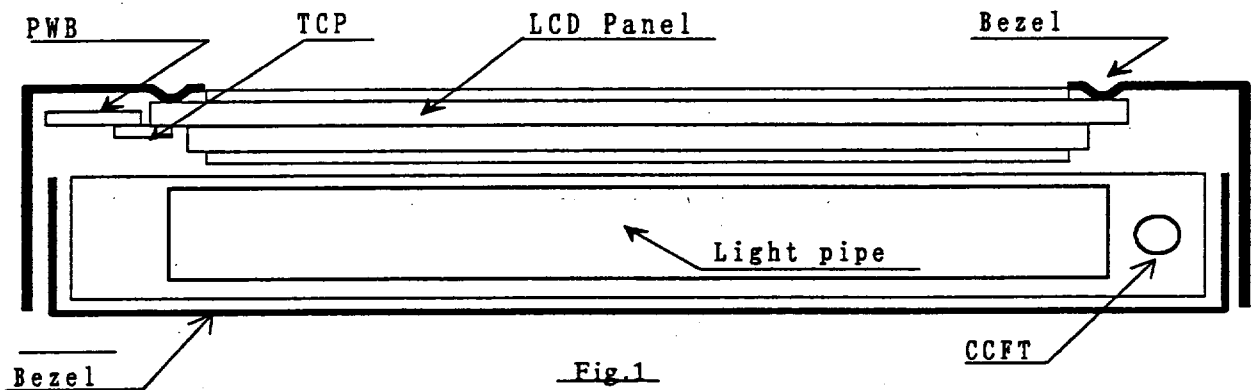
	Page
1. Application	2
2. Construction and Outline	2
3. Mechanical Specifications	2
4. Absolute Maximum Ratings	3
5. Electrical Specifications	4
6. Module driving method	10
7. Optical Characteristics	12
8. Characteristics of Backlight	15
9. Supply voltage sequence condition	17
10. Outline dimension	18
11. Precautions	19

1. Application

This data sheet is to introduce the specification of LM057QC1T01, negative Matrix type Color LCD module.

2. Construction and Outline

Construction: 320×RGB×240 dots color display module consisting of the LCD panel, PWB(printed wiring board) with electronic components mounted, TCP(tape carrier package) to connect the LCD panel and PWB electrically, plastic chassis with CCFT back light and bezel to hold them mechanically. Signal ground(Vss) is connected to the metal bezel.



Outline :See Fig. 13
Connection :See Fig. 13 and Table 6

Application inspection standard

The LCD module shall meet the following inspection standard :

~~S-U-014~~ S-U-055-02



3. Mechanical Specification

Table 1

Parameter	Specifications	Unit
Outline dimensions *1	154.6±0.5(W)×114.8±0.5(H)×8.3±0.5(D)	mm
Viewing area	118.2(W)×89.4(H)	mm
Active area	115.18(W)×86.38(H)	mm
Display format	320×RGB(W)×240(H)	-
Dot size	0.1×RGB(W)×0.34(H)	mm
Dot spacing	0.02	mm
Base color *2	Normally black	-
Mass	Approx. 200	g

*1 Due to the characteristics of the LC material, display colors may vary with ambient temperature.

*2 Negative-type display

Display data "H" → Display ON = white

Display data "L" → Display OFF = black

4. Absolute Maximum Ratings

4-1. Electrical absolute maximum ratings

Table 2

Parameter	Symbol	MIN.	MAX.	Unit	Remark
Supply voltage (Logic)	$V_{DD}-V_{SS}$	0	6.0	V	Ta=25 °C
Input voltage	V_{IN}	-0.3	V_{DD}	V	Ta=25 °C
Supply voltage (LCD)	$V_{EE}-V_{SS}$	0	32	V	Ta=25 °C

4-2. Environment Conditions

Ambient temperature, humidity conditions

Table 3

Item	Topr		Tstg		Remark
	MIN.	MAX.	MIN.	MAX.	
Ambient temperature	0 °C	+50 °C	-25 °C	+60°C	Note 1)
Humidity	Note 2)				No condensation

Note 1) The display module should not be operated nor stored outside of specified temperature range.

Note 2) $T_a \leq 40$ °C.....95 % RH Max.
 $T_a > 40$ °C.....Absolute humidity shall be less than $T_a=40$ °C/95 % RH.

Vibration conditions

Table 4

Frequency	10 Hz~57 Hz	57 Hz~500 Hz
Vibration level	-	9.8 m/s ²
Vibration width	0.075 mm	-
Interval	10 Hz~500 Hz~10 Hz/11.0 min	

2 hours for each direction of X/Y/Z (6 hours as total)

Shock conditions

Acceleration : 490 m/s²

Pulse width : 11 ms

3 times for each directions of $\pm X/\pm Y/\pm Z$

5. Electrical Specifications

5-1. Electrical characteristics

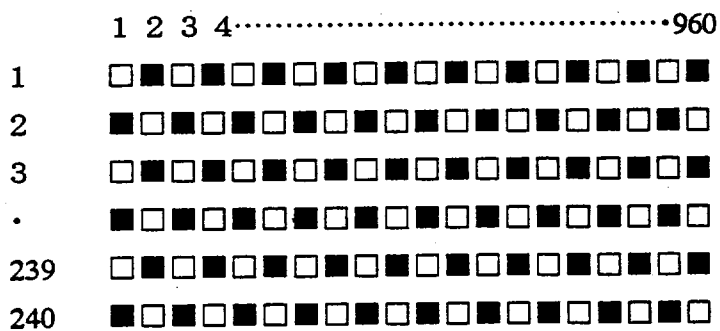
Table 5-1

Parameter	Symbol	Conditions	Min.	Typ.	Max.	Unit	
Supply voltage (Logic)	$V_{DD}-V_{SS}$	$T_a = 0 \sim 50 \text{ }^\circ\text{C}$	4.75	5.0	5.25	V	
Supply voltage (LCD) Note 1)	$V_{EE}-V_{SS}$	$T_a = 0 \text{ }^\circ\text{C}$	-	26.8	28.7	V	
		$T_a = 25 \text{ }^\circ\text{C}$		26.1			
		$T_a = 50 \text{ }^\circ\text{C}$	23.7	25.5			
Input signal voltage	V_{IH}	"H" level	$T_a = 0 \sim 50 \text{ }^\circ\text{C}$	0.8 V_{DD}	-	V_{DD}	V
	V_{IL}	"L" level		0	-	0.2 V_{DD}	V
Supply current	I_{DD}	$T_a = 25 \text{ }^\circ\text{C}$ (Note 2)	-	3.0	4.5	mA	
	I_{EE}		-	8.0	12	mA	
Power consumption	P_d	$T_a = 25 \text{ }^\circ\text{C}$ (Note 2,3)	-	223	335	mW	

Note 1) Frame frequency = 75 Hz.

Note 2) Frame frequency = 75 Hz, $V_{EE} - V_{SS} = 26.1\text{V}$, $V_{DD} = 5\text{V}$

Display pattern = checker flag pattern



Note 3) Except Lamp power consumption. (*See Page 12)

5-2 Interface signals

○ LCD

Table 6 CN1 (LCD)

No.	Symbol	Description	Note
1	YD	scan start-up signal	"H"
2	LP	input latch signal	"H" → "L"
3	XCK	data input clock signal	"H" → "L"
4	DISP	display control signal	"H" display on, "L" display off
5	VDD	power supply for logic	
6	VSS	Ground potential	
7	VEE	power supply for LCD	
8	D7	Display data signal	"H" (ON), "L"(OFF)
9	D6		
10	D5		
11	D4		
12	D3		
13	D2		
14	D1		
15	D0		

○ CCFT

Table 7 CN2 (CCFT)

No.	Symbol	Description	Note
1	VL1(HV)	High voltage line(from Inverter)	for back light
2	NC	-	
3	VL2(GND)	Ground line(from Inverter)	

Connectors used:

CN1 : 53216-1510 (MOLEX)
CN2 : BHR-03VS-1 (JST)

Mating connectors:

CN1 : 51021-1500 (MOLEX)
CN2 : SM02-(8.0)B-BHS-1 (JST)

(Display functions and reliabilities are not guaranteed for the usage of unspecified mating connectors.)

5-3. Interface timing

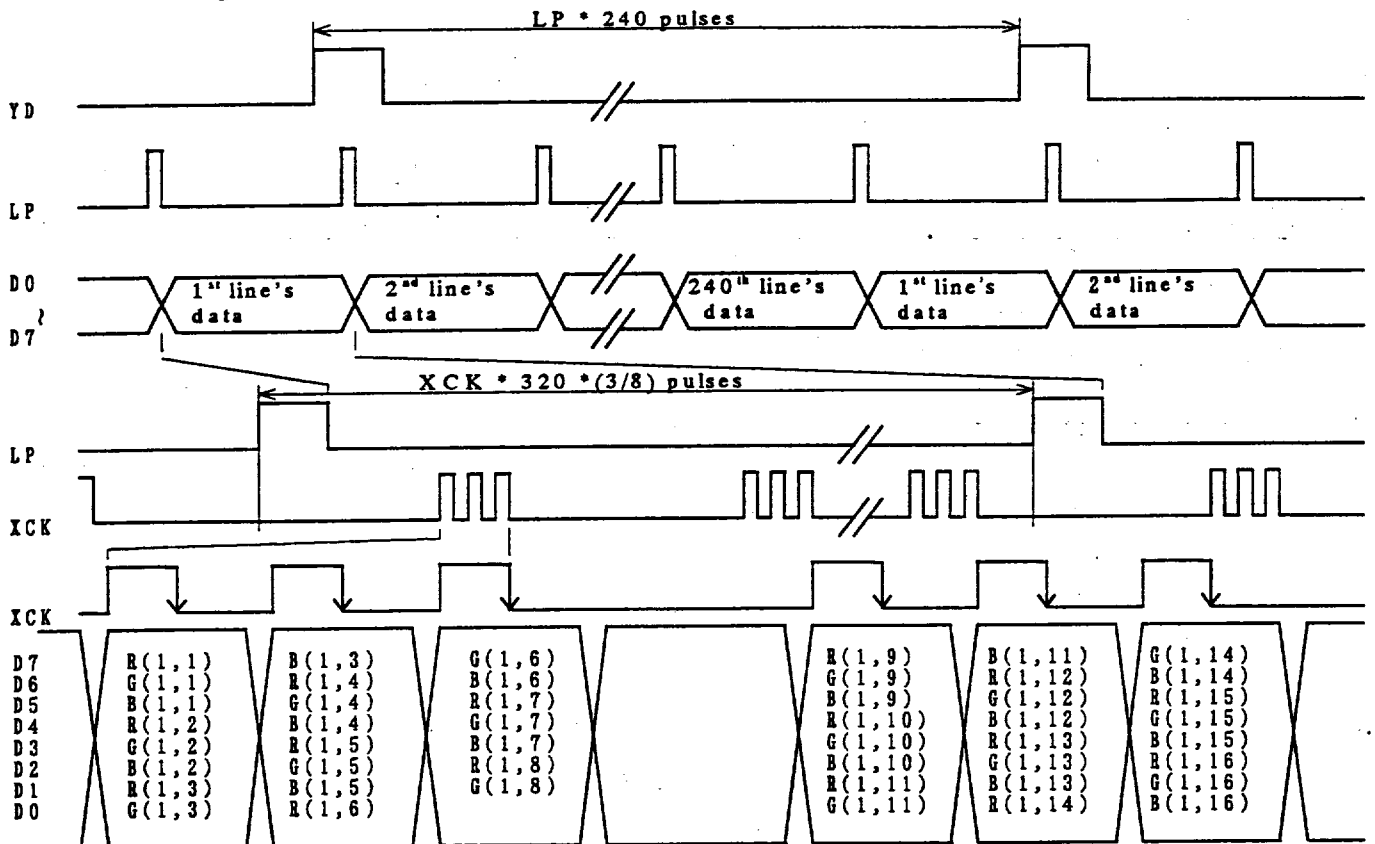


Fig. 2 Interface timing

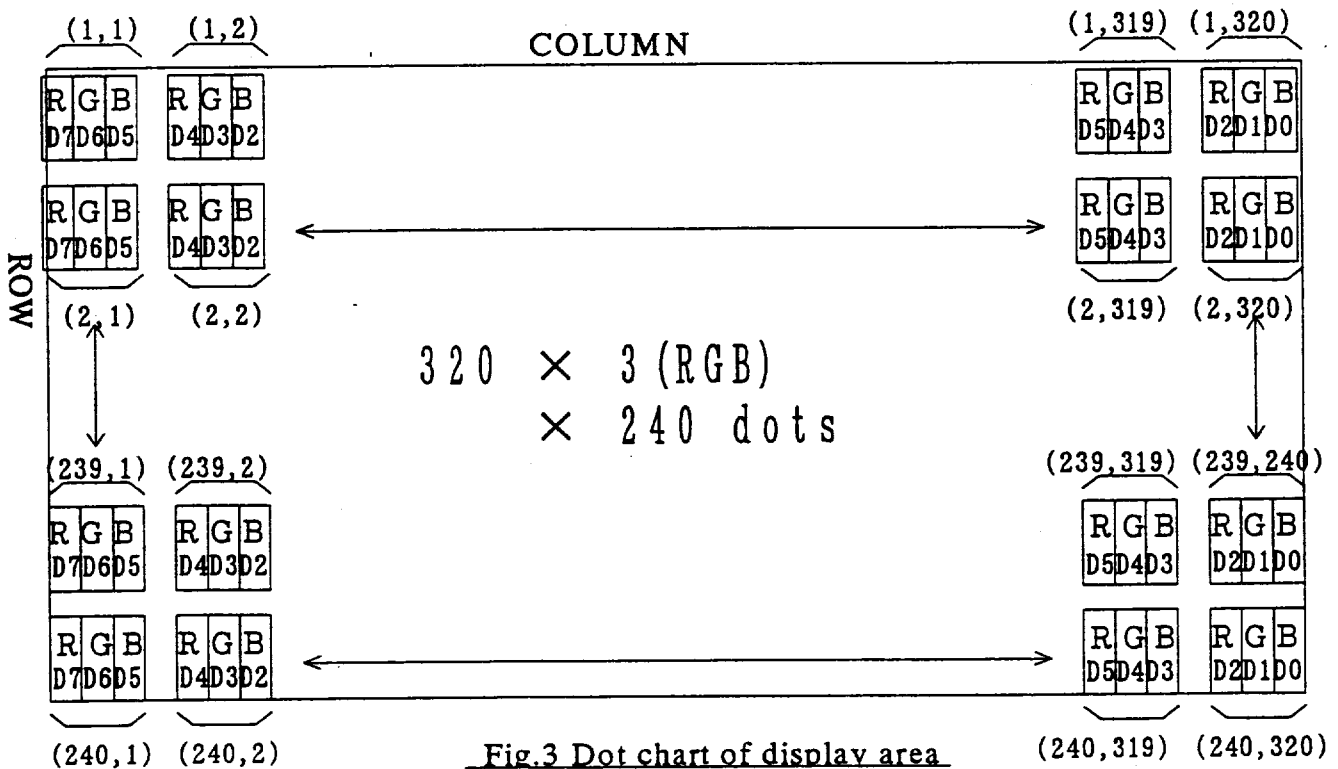


Fig. 3 Dot chart of display area

Table 8 Interface timing ratings
 $T_a=25\text{ }^\circ\text{C}, V_{DD} = 5.0\text{ V} \pm 5\% (3.3\text{V} \pm 5\%)$

Parameter	Symbol	MIN.	TYP.	MAX.	Unit
Flame cycle Note 1)	t_{FRM}	12.5	-	14.3	ms
XCK clock cycle Note 2)	t_{CK}	81	-	-	ns
XCK "H" level width	t_{WCKH}	35	-	-	ns
XCK "L" level width	t_{WCKL}	35	-	-	ns
LP "H" level latch clock width	t_{WLPH}	200	-	-	ns
Data set up time	t_{DS}	35	-	-	ns
Data hold time	t_{DH}	35	-	-	ns
YD "H" level set up time	t_{HYS}	100	-	-	ns
YD "H" level hold time	t_{HYH}	100	-	-	ns
YD "L" level set up time	t_{LYS}	100	-	-	ns
YD "L" level hold time	t_{LYH}	100	-	-	ns
LP ↓ allowance time from XCK ↑	t_{LS}	200	-	-	ns
XCK ↓ allowance time from LP ↑	t_{LH}	200	-	-	ns
Input signal rise/fall time*1	t_r, t_f	-	-	13	ns

Note 1) Due to the characteristics of the LCD module, "shadowing" effect becomes more visible as frame refresh frequency goes up. And also contrast ratio goes down and flickering becomes more visible as flame refresh frequency goes down. It is recommended to drive the display module according to the specified conditions.

Recommended frame refresh frequency range is 70 Hz ~ 80 Hz.

Note 2) LP signal must be continuous. And also its interval time from the falling edge to the rising edge must always be same and no greater than 70 μ s.

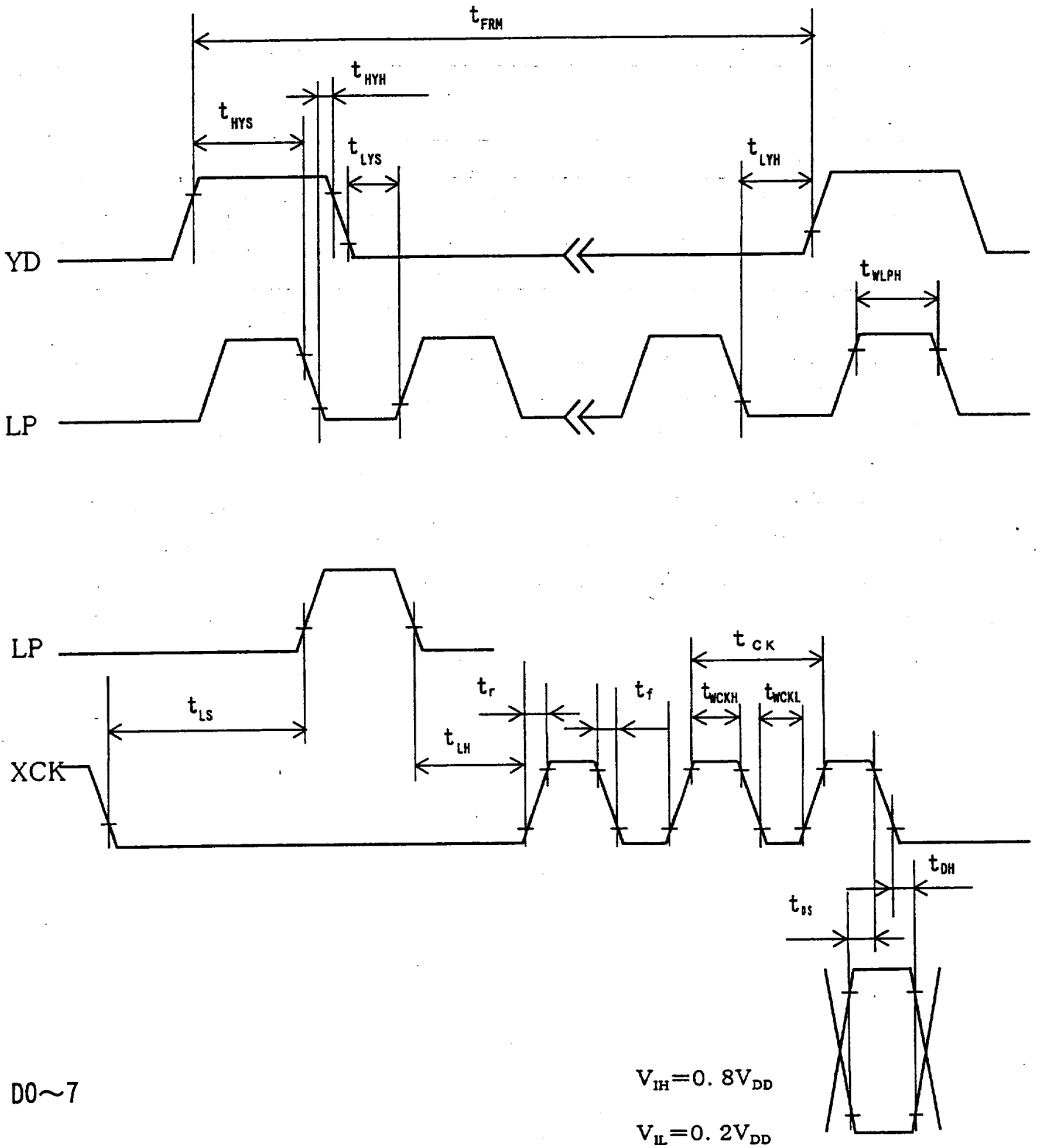


Fig.4 Interface timing chart

6. Module Driving Method

6-1. Input data and control signal

One SEG(segment=column)driver is a 240 bit output LSI, consisting of shift registers, latch circuits and LCD driver circuits.

Input data for each row (320×3 [R,G,B]) will be sequentially transferred in the form of 8 bit parallel data through shift registers by data transfer clock signal (XCK). When data transfer for one row (320×3 [R,G,B]) is completed, the data will be latched in the form of 320×3 parallel data corresponding to each column electrodes by the falling edge of latch signal (LP), then the drive pulses will be output to 320×3 lines of column electrodes of the LCD panel by the LCD drive circuits.

At the same time, row N is selected by scan start-up signal (YD) and the contents of the data signals are displayed on the row N of the display screen according to the combinations of voltages applied to row and column electrodes. While the data row N are being displayed, data for row N+1 are transferred. After 320×3 data have been transferred, data will be latched by the falling edge of LP and output the data to the row N+1.

Each row will be sequentially selected as described above from N=1 to N=240. One frame is completed after displaying 240th row. Then row scan starts from the 1st row again. YD is the scan signal which drives row electrodes.

If DC voltage is applied, it causes a chemical reaction in LC material and causes a deterioration of LC material. So, the polarities of driving pulses must be alternated by certain time period. Control signal M is the signal which changes the polarity of driving pulses.

Power consumption of the LCD module goes up as clock(XCK) frequency goes up due to the nature of CMOS LSI used in it. This display module has 8 bit parallel data input so that it works at low clock frequency and minimize power consumption. 8 bit display data are assigned to D0-7.

This display module also has a bus line system for data input to minimize the power consumption. Data input of each LSI driver works only when data is accessed

Data Input for column electrodes and Chip Select of driver LSI work as follows:

The driver LSI at the left end of the screen is selected first and 240 bits of data($30 \times XCK$) are transferred to it. After transferring 240 data, the adjacent right side LSI right is selected. This process is sequentially continued until data is fed to the LSI at the right end of the screen. Thus display data is transferred sequentially through 8 bit bus line from the left to the right of the screen.

SPEC No. LC99916B	MODEL No. LM057QC1T01	PAGE 11
----------------------	--------------------------	------------

As this display module does not have display refresh RAM, display data and timing control signals must be supplied continuously.

The timing chart of input signals are shown in Fig. 4 and Table 8.

7. Optical Characteristics

Table 9 Ta = 25 °C, V_{DD} = 5.0 V(3.3V), V_{EE} = V_{CO} max

Parameter	Symbol	Condition	MIN.	TYP.	MAX.	Unit	Remark		
Viewing angle range	θ_x	Co > 2.0	$\theta_y = 0^\circ$	$\theta_x \geq 0^\circ$	50	-	-	°	Note1)
			$\theta_x < 0^\circ$	-	-	-50	°		
	θ_y		$\theta_x = 0^\circ$	$\theta_y \geq 0^\circ$	35	-	-	°	
			$\theta_y < 0^\circ$	-	-	-60	°		
Contrast ratio	Co	$\theta_x = \theta_y = 0^\circ$	25	40	-	-	Note2)		
Response time	Rise	τ_r	$\theta_x = \theta_y = 0^\circ$	-	450	600	ms	Note3)	
	Decay	τ_d	$\theta_x = \theta_y = 0^\circ$	-	100	130	ms		
Brightness	B	$\theta_x = \theta_y = 0^\circ$	IL = 6.0 mA	140	180		cd/m ²	Note4)	
Module Chromaticity	white	x	$\theta_x = \theta_y = 0^\circ$	0.27	0.32	0.37	-		
		y	$\theta_x = \theta_y = 0^\circ$	0.28	0.33	0.38	-		

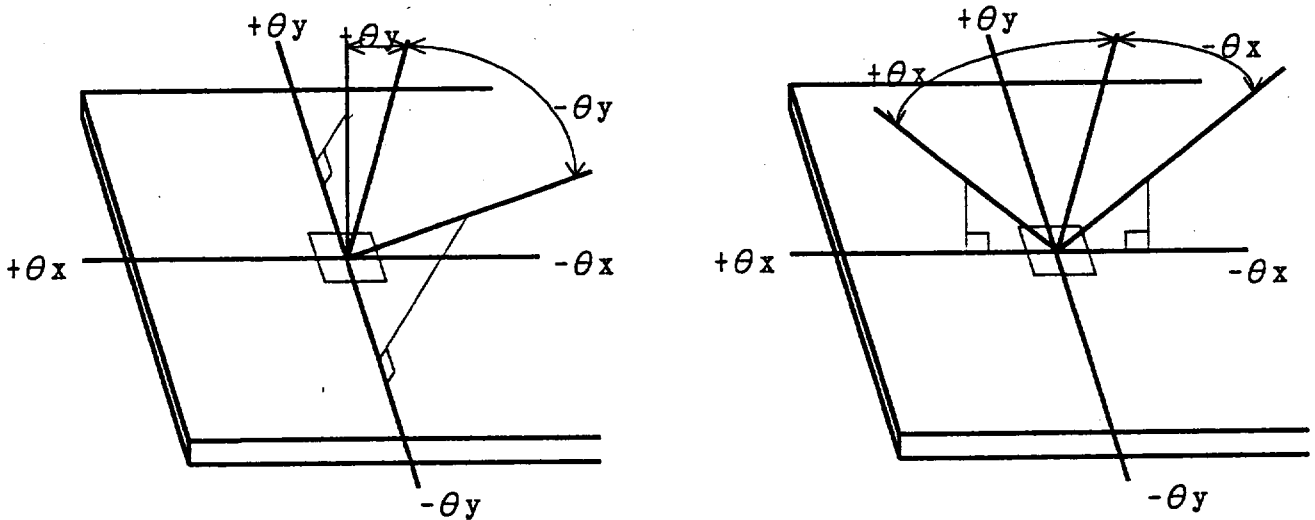


Fig.5 Definition of Viewing Angle

Note 1) The viewing angle range is defined as shown Fig.5

Note 2) Contrast ratio is defined as follows:

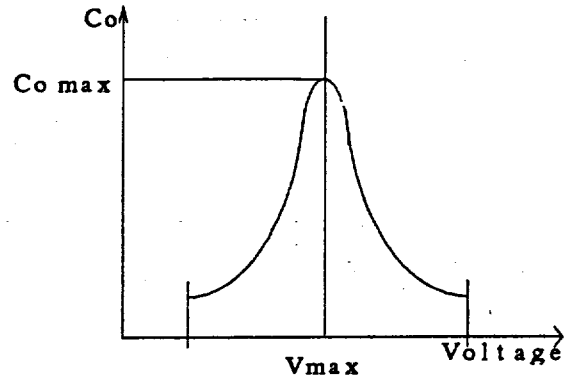
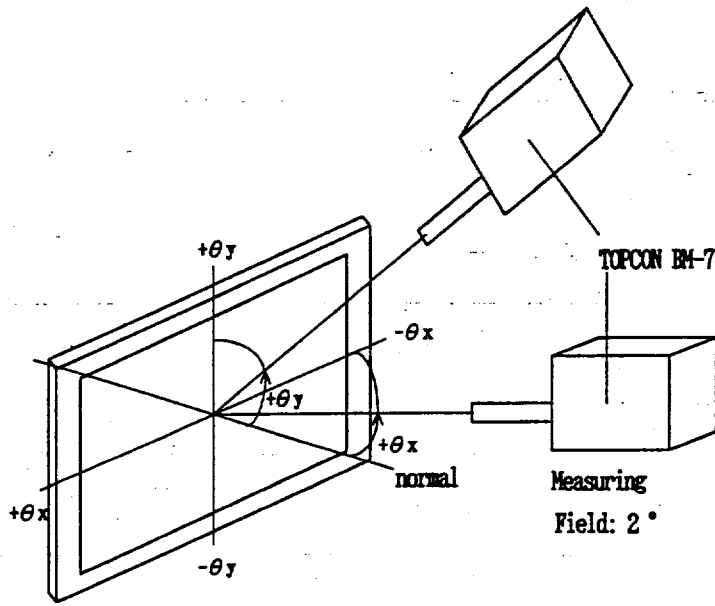
$$Co = \frac{\text{Luminance(brightness) of all pixels "White" at } V_{max}}{\text{Luminance(brightness) of all pixels "Dark" at } V_{max}}$$

V_{max} is defined in Fig.7.

Note 3) The response speed of LCD module is defined as the response characteristics of photo-detector output shown in Fig.6 when the measured dot is turned on and off in the setting shown in Fig.8

Note4) Luminance is defined as average luminance (brightness) of measuring points (①~⑤) at V_{max}.

All pixels of LCD are "white".



Measuring Spot Size : ϕ 10 mm

θx : Angle from "normal" to measuring direction along the horizontal axis.

θy : Angle from "normal" to measuring direction along the vertical axis.

Fig.6 Optical Characteristics Test Method I

Fig.7 Definition of Vmax

(Response Speed Measurement)

$T_a = 25 \text{ }^\circ\text{C}$

In the dark room

TOPCON BM7 + quartz fiber

(Measuring spot size : ϕ 10 mm, Measuring Field : 2°)

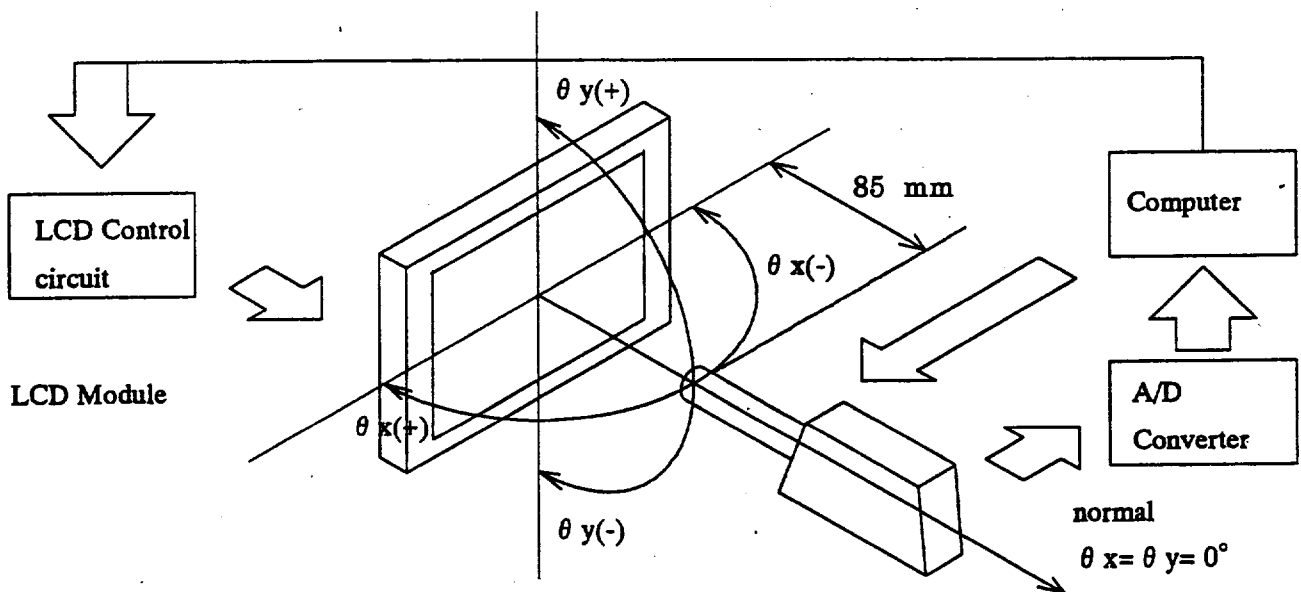


Fig. 8 Optical Characteristics Test Method II

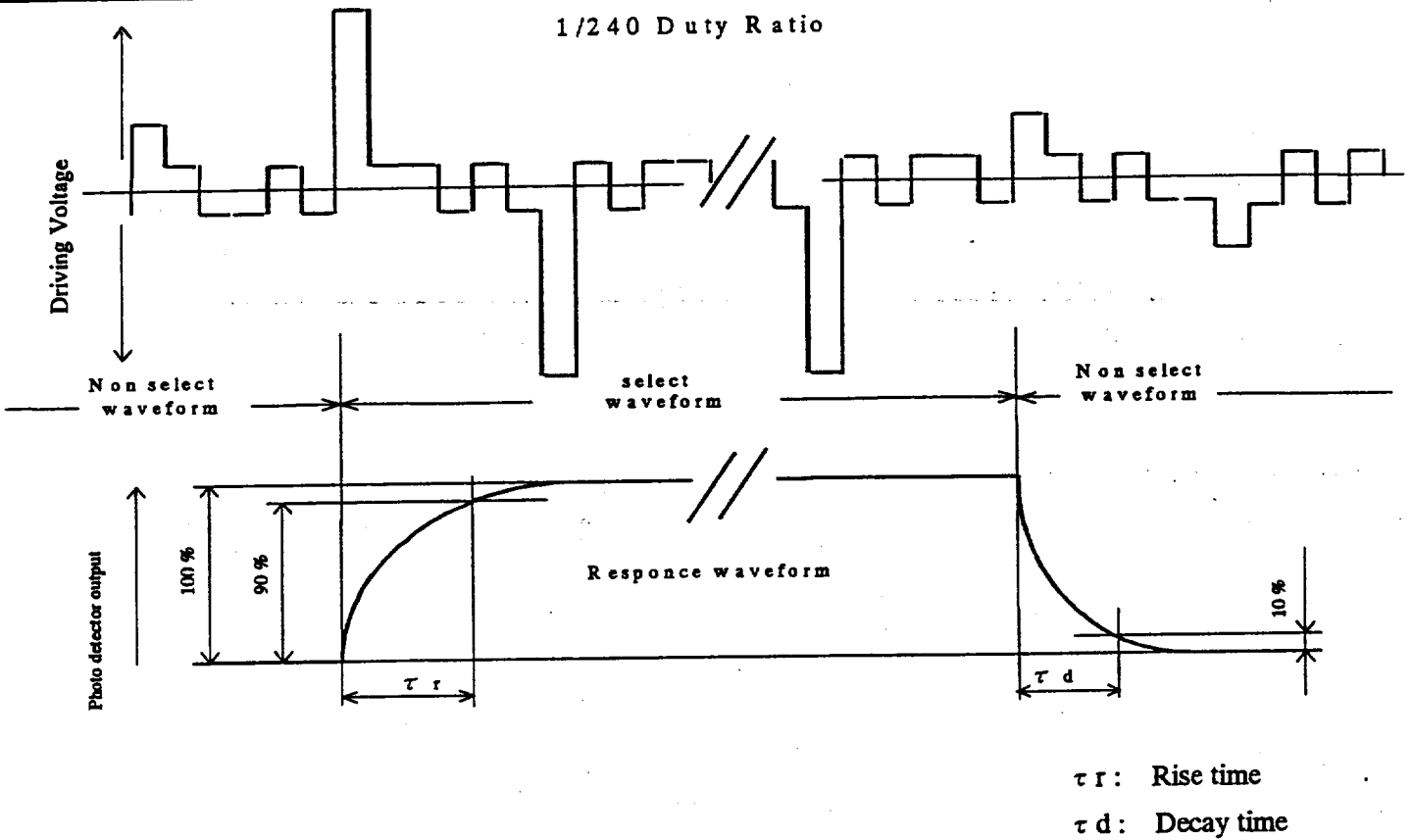
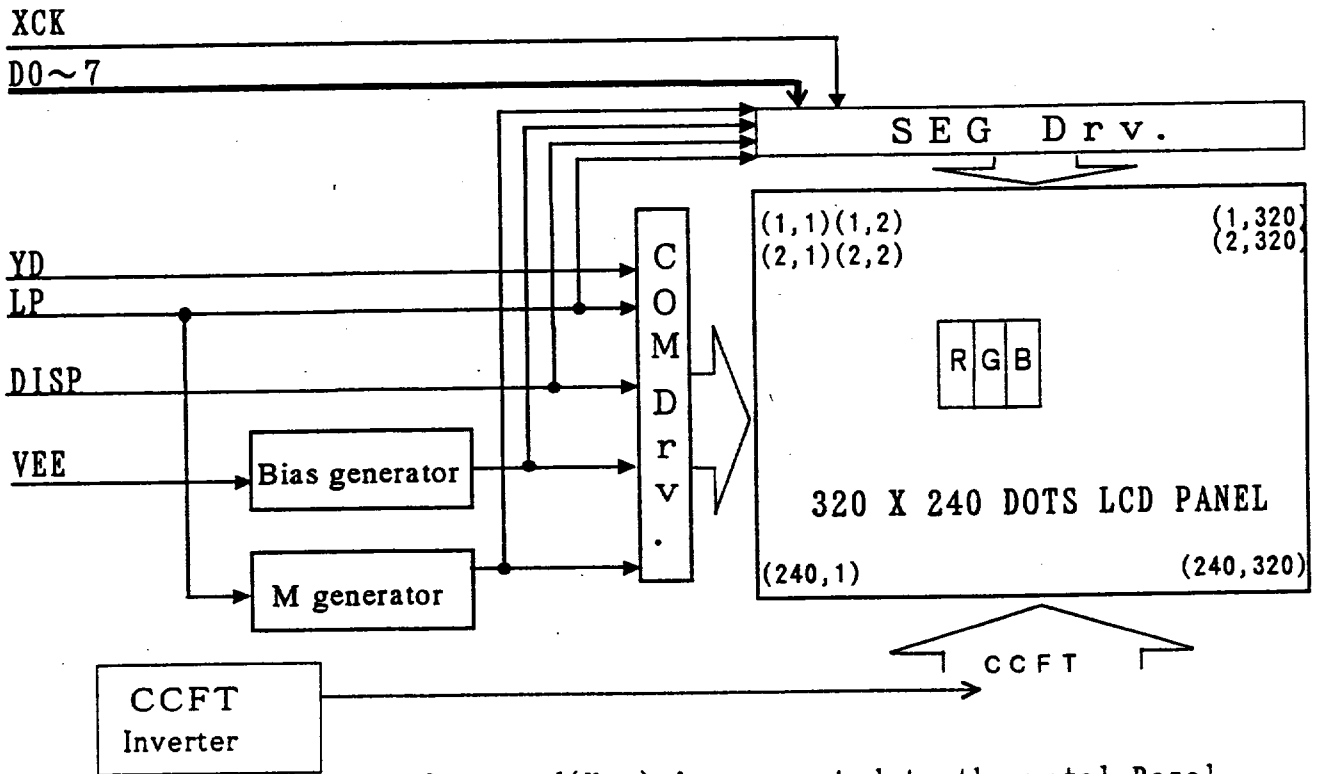


Fig.9 Definition of Response time



*Signal ground(Vss) is connected to the metal Bezel.

Fig.10 Circuit block diagram

8. Characteristics of Backlight

The ratings are given based on following conditions.

1) Rating(Note)

Table 10

Parameter	MIN.	TYP.	MAX.	Unit
Brightness	140	180	-	cd/m ²

2) Measurement circuit : CXA-M10L(TDK) (at $I_L = 6.0$ mArms)

3) Measurement equipment : BM-7 (TOPCON Corporation)

4) Measurement conditions

4-1. Measurement circuit voltage : DC = 12.0V, at primary side

4-2. LCD: All pixels WHITE, $V_{DD} = 5.0$ V(3.3V), $V_{EE} = V_{max}$, D7~0 : "H"(White)

$1/t_{FRM} = 75$ Hz

4-3. Ambient temperature : 25 °C

Measurement shall be executed 30 minutes after turning on.

5)

5-1. Rating (1pc)

Table 11

Parameter	Symbol	MIN.	TYP.	MAX.	Unit	Remark
Lamp current	I_L	4	6	6.5	mArms	*1
Lamp voltage	V_L	-	400	-	Vrms	
Lamp power Consumption	P_L	-	2.4	-	W	*2
Lamp frequency	F_L	40	-	80	kHz	
Kick-off voltage	V_s	-	-	650	Vrms	Ta=25 °C
		-	-	770	Vrms	Ta= 0 °C, *3
Lamp life time	L_L	15 000	25 000	-	h	*4

*1 It is recommended that I_L is no greater than 6 mArms so that the effect of heat radiation from CCFT backlight on display quality is minimized.

*2 Power consumption excluded inverter efficiency loss.

*3 The output voltage of the inverter should be set to V_s adding some margin as V_s of CCFT bulb may be increased due to AC coupling leakage to the chassis of the LCD module.

*4 Average life time of CCFT bulb will be decreased when LCD is operated at low temperature.

6) Operating life

The operating life time is 25 000 hours or more at 6 mArms, 25 ±1°C
(Operating life with CXA-M10L or equivalent.)

The inverter should meet the following conditions to keep the specified life time of used lamp;

- Sine wave form, symmetric in positive and negative, no ripple or spike pulse
- Output frequency range: 40~80 kHz

Check well that CCFT works properly with enough aging time.

The operating life time is defined as the time either of following conditions are met.

- When the luminance or amount of light output is decreased to 60 % of the initials value.
- When the kick-off voltage reaches Maximum value in Table 11.

(NOTE) Ratings are defined as the average brightness inside the viewing area specified in Fig.11.

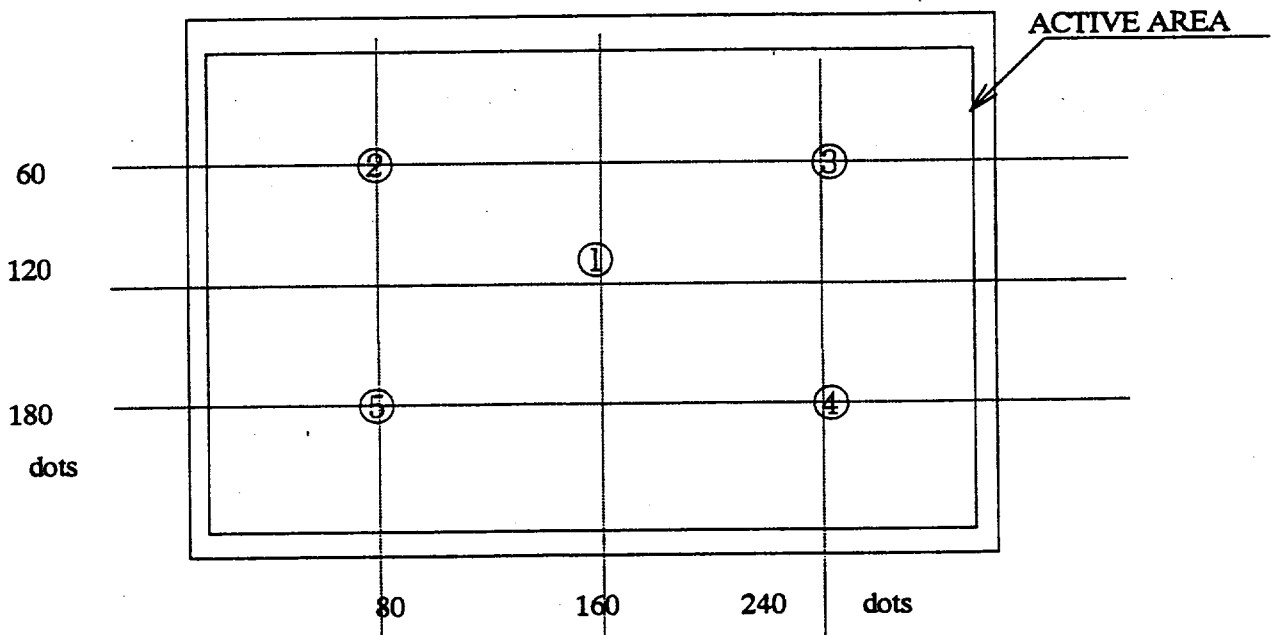


Fig.11 Measuring points (1-5)

9. Supply voltage sequence condition

The power ON/OFF sequence shown on Fig.12 must be kept to avoid latch-up of driver LSI and DC voltage charge to LCD panel.

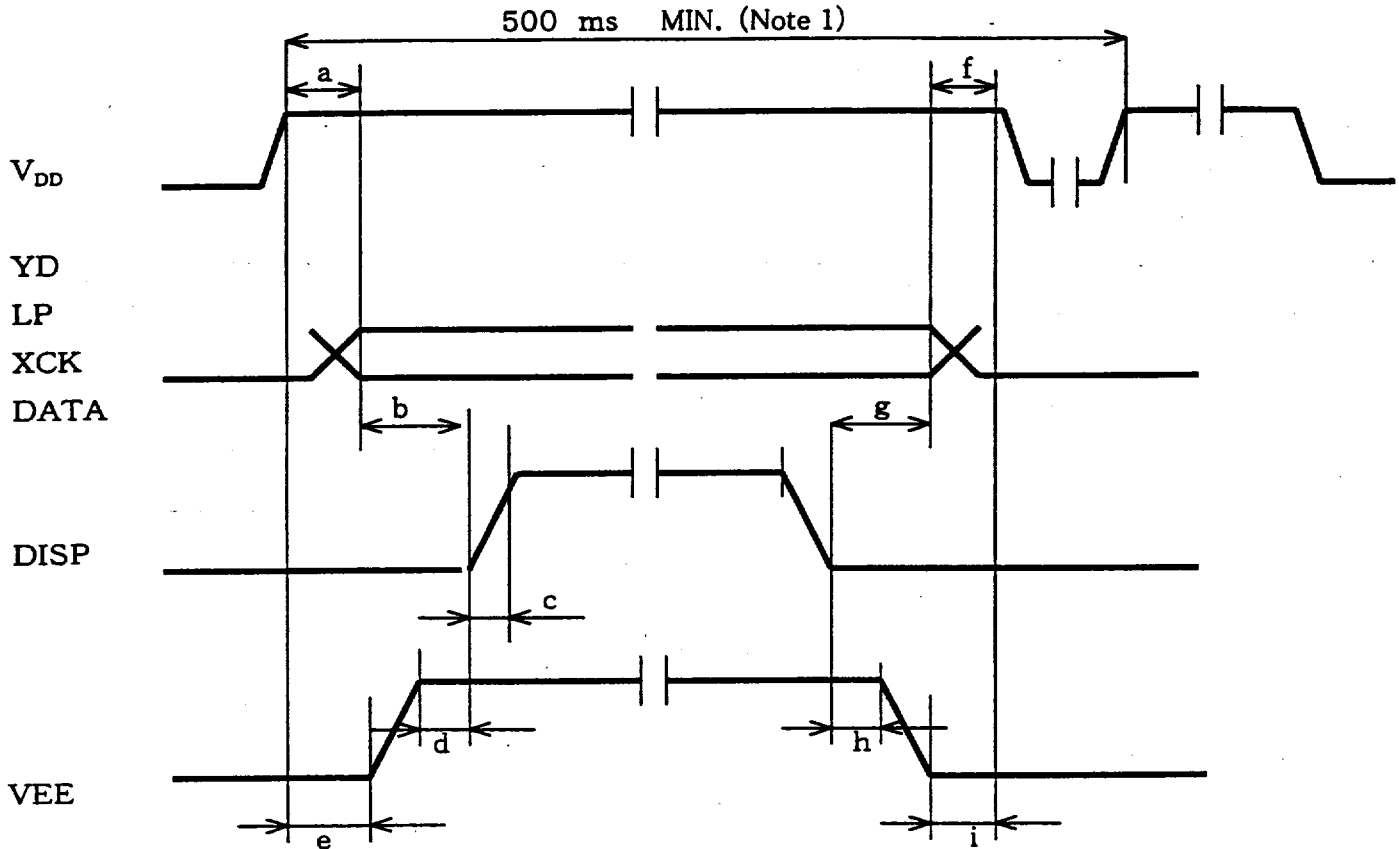


Fig.12 Sequence condition

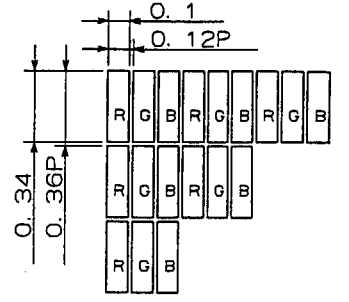
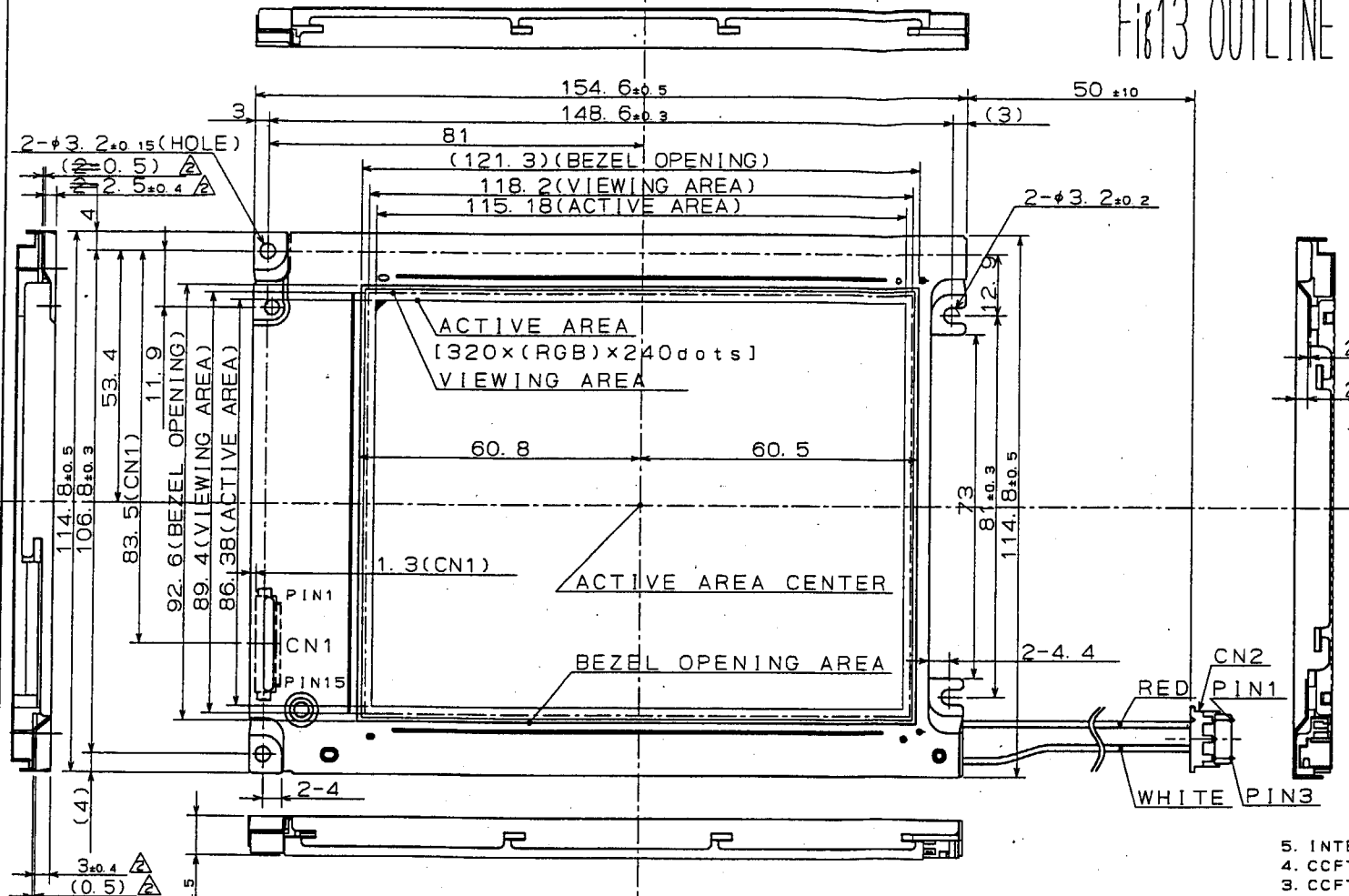
	POWER ON	
Symbol	Allowable value	
a	0 ms MIN.	1 s MAX.
b	20 ms MIN.	-
c	-	100 ns MAX.
d	0 ms MIN.	-
e	0 ms MIN.	-

	POWER OFF	
Symbol	Allowable value	
f	0 ms MIN.	1 s MAX.
g	20 ms MIN.	-
h	20 ms MIN.	-
i	0 ms MIN.	-

Note 1) Power ON/OFF cycle time. All signals and power lines must be switched in accordance with above sequence during power ON/OFF cycle.

出図
ISSUE
設計通報
DRAWING INFO
No. () 号による
連絡書
INFORMATION
() 号による
新設・変更・書換 図面
NEW CHANGE REPLACE DRAWING

Fig13 OUTLINE DIMENSION



DOT SIZE
(S=40/1)

INTERFACE CONNECTOR CCFT CONNECTOR

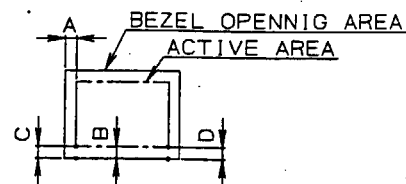
CN1		
PIN No.	SYMBOL	
1	YD	
2	LP	
3	XCK	
4	DISP	
5	VDD	
6	VSS	
7	VFF	
8	D7	
9	D6	
10	D5	
11	D4	
12	D3	
13	D2	
14	D1	
15	DO	

CN2		
PIN No.	SYMBOL	
1	VL1(HV)	
2	NC	
3	VL2(GND)	

- 5. INTERFACE CONNECTOR : 59261-1510(MOLEX)
- 4. CCFT CABLE : UL35B7 AWG26
- 3. CCFT CONNECTOR : BHR-03VS-1(JST)
- 2. UNSPECIFIED TOL TO BE ±0.5

NOTE : 1. UNIT IS mm

BEZEL/DISPLAY POSITION



- 1) TOLERANCE X-DIRECTION A: 3.21±0.5
- 2) TOLERANCE Y-DIRECTION B: 3.11±0.5
- 3) OBLIQUITY OF DISPLAY AREA |C-D| < 0.5

LM057QC1T01				NAME		LCD MODULE OUTLINE DIMENSIONS	
DATE	REVISE	PREPARED	MODEL	ASSEMBLY	320x3x240 DOTS		
MATERIAL	THICKNESS	FINISH	SCALE	部品コード	PARTS CODE		
SHARP CORPORATION				DATE	1998.10.8		
DESIGN	TRACE	CHECK	CHECK	APPROVE	Engineering Department 1 Duty Panel Development Center Duty LCD Group		
A. TAKAKA				DRAWING No.			

11. Precautions

- 1) When design the product with this LCD module, make sure the viewing angle matches to its purpose of usage.

Viewing angle of this LCD module is illustrated in Fig.1.

$\theta y \text{ MIN.} < \text{viewing angle} < \theta y \text{ MAX.}$

(For the specific values of $\theta y \text{ MIN.}$, and $\theta y \text{ MAX.}$, refer to the table 9)

Consider the optimum viewing conditions according to the purpose when installing the module.

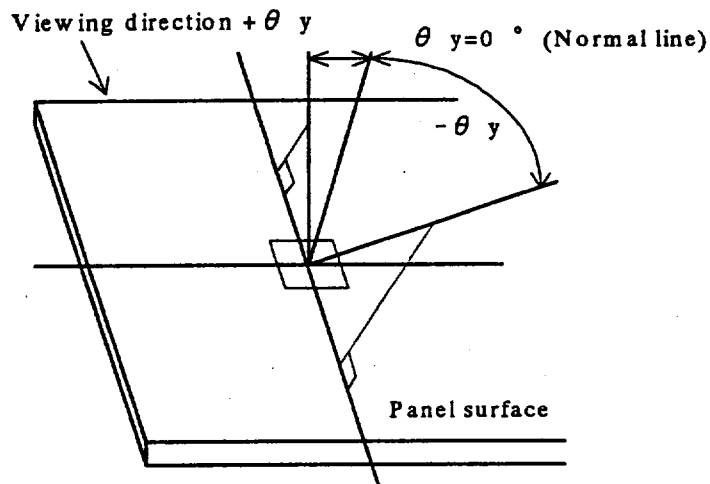


Fig.14 Definition of viewing angle

- 2) This LCD module must be mounted using mounting holes of metal bezel. Handle carefully when install the LCD module to avoid unnecessary stresses such as twisting or bending.
- 3) Although the polarizer of this LCD module has the anti-glare coating, always be careful not to scratch its surface. Use of a plastic cover is recommended to protect the surface of polarizer.
- 4) If the surface of LCD panel needs to be cleaned, wipe it swiftly with cotton or other soft cloth. If it is not still clean enough, blow a breath on the surface and wipe again.
- 5) Water droplets must be wiped off immediately as those may leave stains or cause color changes if remained for a long time.
- 6) As LCD panel is made of glass substrate, dropping the LCD module or banging it against hard objects may cause cracking or fragmentation.

7) As CMOS LSIs are equipped in this module, following countermeasures must be taken to avoid electrostatics charges.

1. Operator

Wear the electrostatic shielded clothes because human body may be statically charged if not wear shielded clothes.

2. Equipment

There is a possibility that the static electricity is charged to the equipment which have a function of peeling or friction action(ex: conveyer, soldering iron, working table). Earth the equipment through proper resistance(electrostatic earth: $1 \times 10^8 \Omega$).

3. Floor

Floor is the important part to drain static electricity which is generated by operators or equipment.

There is a possibility that charged static electricity is not properly drained in case of insulating floor.

Set the electrostatic earth($1 \times 10^8 \Omega$).

4. Humidity

Proper humidity helps in reducing the chance of generating electrostatic charges. Humidity should be kept over 50%RH.

5. Transportation/storage

The storage materials also need to be anti-static treated because there is a possibility that the human body or storage materials such as containers may be statically charged by friction or peeling.

6. Others

The laminator(protective film) is attached on the surface of LCD panel to prevent it from scratches or stains. It should be peeled off slowly using static eliminator.

Static eliminator should also be installed to the work bench to prevent LCD module from static charge.

- 8) Do not use any materials which emit gas from epoxy resin(hardener for amine) and silicone adhesive agent(dealcohol or deoxym) to prevent discoloration of polarizer due to gas.
- 9) The brightness of the LCD module may be affected by the routing of CCFT cables due to leakage to the chassis through coupling effect. The inverter circuit needs to be designed taking the level of leakage current into consideration. Thorough evaluation is needed for LCD module and inverter built into its host equipment to ensure specified brightness.
- 10) Avoid the exposure of the module to the direct sun-light or strong ultraviolet light for a long time.
- 11) If the LCD module is stored at below specified temperature, the LC material may freeze and be deteriorated. If it is stored at above specified temperature, the molecular orientation of the LC material may change to Liquid state and it may not revert to its original state. Therefore, the LCD module should always be stored within specified temperature range.
- 12) Disassembling the LCD module can cause permanent damage and it should be strictly avoided.

13) Procedure to insert mating connector

When the mating connector is inserted, it should be parallel to the connector on the LCD module and it should be inserted horizontally. Do not leave a gap between two connectors.

14) The module should be driven according to the specified ratings to avoid malfunction and permanent damage. Applying DC voltage causes a rapid deterioration of LC material. Make sure to apply alternating waveform by continuous application of the M signal. Especially the power ON/OFF sequence shown on Page 17 should be kept to avoid latch-up of driver LSIs and DC charge up to LCD panel.

15) LCD retains the display pattern when it is applied for long time.(Image retention)

To prevent image retention, do not apply the fixed pattern for along time.

16) Image retention is not a deterioration of LCD. It will be removed after display pattern is changed.

17) CCFT backlight should be kept OFF during VDD is "L" level.

SPECIFICATIONS ARE SUBJECT TO CHANGE WITHOUT NOTICE.

Suggested applications (if any) are for standard use; See Important Restrictions for limitations on special applications. See Limited Warranty for SHARP's product warranty. The Limited Warranty is in lieu, and exclusive of, all other warranties, express or implied. ALL EXPRESS AND IMPLIED WARRANTIES, INCLUDING THE WARRANTIES OF MERCHANTABILITY, FITNESS FOR USE AND FITNESS FOR A PARTICULAR PURPOSE, ARE SPECIFICALLY EXCLUDED. In no event will SHARP be liable, or in any way responsible, for any incidental or consequential economic or property damage.

SHARP®

NORTH AMERICA

SHARP Microelectronics of the Americas
5700 NW Pacific Rim Blvd.
Camas, WA 98607, U.S.A.
Phone: (1) 360-834-2500
Fax: (1) 360-834-8903
Fast Info: (1) 800-833-9437
www.sharpsma.com

EUROPE

SHARP Microelectronics Europe
Division of Sharp Electronics (Europe) GmbH
Sonninstrasse 3
20097 Hamburg, Germany
Phone: (49) 40-2376-2286
Fax: (49) 40-2376-2232
www.sharpsme.com

JAPAN

SHARP Corporation
Electronic Components & Devices
22-22 Nagaike-cho, Abeno-Ku
Osaka 545-8522, Japan
Phone: (81) 6-6621-1221
Fax: (81) 6117-725300/6117-725301
www.sharp-world.com

TAIWAN

SHARP Electronic Components
(Taiwan) Corporation
8F-A, No. 16, Sec. 4, Nanking E. Rd.
Taipei, Taiwan, Republic of China
Phone: (886) 2-2577-7341
Fax: (886) 2-2577-7326/2-2577-7328

SINGAPORE

SHARP Electronics (Singapore) PTE., Ltd.
438A, Alexandra Road, #05-01/02
Alexandra Technopark,
Singapore 119967
Phone: (65) 271-3566
Fax: (65) 271-3855

KOREA

SHARP Electronic Components
(Korea) Corporation
RM 501 Geosung B/D, 541
Dohwa-dong, Mapo-ku
Seoul 121-701, Korea
Phone: (82) 2-711-5813 ~ 8
Fax: (82) 2-711-5819

CHINA

SHARP Microelectronics of China
(Shanghai) Co., Ltd.
28 Xin Jin Qiao Road King Tower 16F
Pudong Shanghai, 201206 P.R. China
Phone: (86) 21-5854-7710/21-5834-6056
Fax: (86) 21-5854-4340/21-5834-6057

Head Office:

No. 360, Bashen Road,
Xin Development Bldg. 22
Waigaoqiao Free Trade Zone Shanghai
200131 P.R. China
Email: smc@china.global.sharp.co.jp

HONG KONG

SHARP-ROXY (Hong Kong) Ltd.
3rd Business Division,
17/F, Admiralty Centre, Tower 1
18 Harcourt Road, Hong Kong
Phone: (852) 28229311
Fax: (852) 28660779
www.sharp.com.hk

Shenzhen Representative Office:

Room 13B1, Tower C,
Electronics Science & Technology Building
Shen Nan Zhong Road
Shenzhen, P.R. China
Phone: (86) 755-3273731
Fax: (86) 755-3273735