

PREPARED BY: DATE

APPROVED BY: DATE

SHARP

LIQUID CRYSTAL DISPLAY GROUP
SHARP CORPORATION

SPECIFICATION

SPEC No. LC99908

FILE No.

ISSU OCT. 1.1999

PAGE 23 Pages

REPRESENTATIVE DIVISION

ENGINEERING DEPARTMENT 1
DUTY LCD DEVELOPMENT
CENTER
DUTY LIQUID CRYSTAL
DISPLAY GROUP

DEVICE SPECIFICATION for
Passive Matrix LCD Module

Model No.

LM057QCTT03

CUSTOMER'S USE ONLY

DATE _____

BY _____

PRESENTED

BY M. Ise

M.Ise
DEPARTMENT GENERAL MANAGER
ENGINEERING DEPARTMENT 1
DUTY LCD DEVELOPMENT CENTER
DUTY LIQUID CRYSTAL DISPLAY GROUP
SHARP CORPORATION

Precautions

- 1) When design the product with this LCD module, make sure the viewing angle matches to its purpose of usage.

Viewing angle of this LCD module is illustrated in Fig.1.

$\theta y \text{ MIN.} < \text{viewing angle} < \theta y \text{ MAX.}$

(For the specific values of $\theta y \text{ MIN.}$, and $\theta y \text{ MAX.}$, refer to the table 9)

Consider the optimum viewing conditions according to the purpose when installing the module.

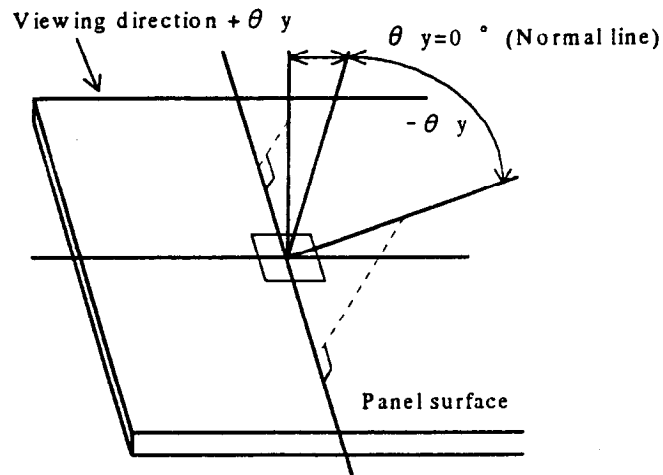


Fig.14 Definition of viewing angle

- 2) This LCD module must be mounted using mounting holes of metal bezel. Handle carefully when install the LCD module to avoid unnecessary stresses such as twisting or bending.
- 3) If the surface of LCD panel needs to be cleaned, wipe it swiftly with cotton or other soft cloth. If it is not still clean enough, blow a breath on the surface and wipe again.
- 4) Water droplets must be wiped off immediately as those may leave stains or cause color changes if remained for a long time.
- 5) As LCD panel is made of glass substrate, dropping the LCD module or banging it against hard objects may cause cracking or fragmentation.

6) As CMOS LSIs are equipped in this module, following countermeasures must be taken to avoid electrostatics charges.

1. Operator

Wear the electrostatic shielded clothes because human body may be statically charged if not wear shielded clothes.

2. Equipment

There is a possibility that the static electricity is charged to the equipment which have a function of peeling or friction action(ex: conveyer, soldering iron, working table). Earth the equipment through proper resistance(electrostatic earth: $1 \times 10^8 \Omega$).

3. Floor

Floor is the important part to drain static electricity which is generated by operators or equipment.

There is a possibility that charged static electricity is not properly drained in case of insulating floor.

Set the electrostatic earth($1 \times 10^8 \Omega$).

4. Humidity

Proper humidity helps in reducing the chance of generating electrostatic charges. Humidity should be kept over 50%RH.

5. Transportation/storage

The storage materials also need to be anti-static treated because there is a possibility that the human body or storage materials such as containers may be statically charged by friction or peeling.

6. Others

The laminator(protective film) is attached on the surface of LCD panel to prevent it from scratches or stains. It should be peeled off slowly using static eliminator.

Static eliminator should also be installed to the work bench to prevent LCD module from static charge.

- 7) Do not use any materials which emit gas from epoxy resin(hardener for amine) and silicone adhesive agent(dealcohol or deoxym) to prevent discoloration of polarizer due to gas.
- 8) The brightness of the LCD module may be affected by the routing of CCFT cables due to leakage to the chassis through coupling effect. The inverter circuit needs to be designed taking the level of leakage current into consideration. Thorough evaluation is needed for LCD module and inverter built into its host equipment to ensure specified brightness.
- 9) Avoid the exposure of the module to the direct sun-light or strong ultraviolet light for a long time.
- 10) If the LCD module is stored at below specified temperature, the LC material may freeze and be deteriorated. If it is stored at above specified temperature, the molecular orientation of the LC material may change to Liquid state and it may not revert to its original state. Therefore, the LCD module should always be stored within specified temperature range.
- 11) Disassembling the LCD module can cause permanent damage and it should be strictly avoided.

12) Procedure to insert mating connector

When the mating connector is inserted, it should be parallel to the connector on the LCD module and it should be inserted horizontally. Do not leave a gap between two connectors.

13) The module should be driven according to the specified ratings to avoid malfunction and permanent damage.

Applying DC voltage causes a rapid deterioration of LC material. Make sure to apply alternating waveform by continuous application of the M signal. Especially the power ON/OFF sequence shown on Page 17 should be kept to avoid latch-up of driver LSIs and DC charge up to LCD panel.

14) LCD retains the display pattern when it is applied for long time.(Image retention)

To prevent image retention, do not apply the fixed pattern for along time.

15) Image retention is not a deterioration of LCD. It will be removed after display pattern is changed.

16) CCFT backlight should be kept OFF during VDD is "L" level.

Precautions for touch panel

1) Designing

1. Active area

Active area is defined as input area by pen or finger. Its function, optical properties and durability are specified in the specifications.

a) Detection of coordinates and calibration must always be conducted within active area. If those are conducted outside of the active area, those may cause functional errors.

b) Area which is actually accessed by pen or finger must be designed within active area. If it is designed outside of the active area, it may cause functional error.

2. Neutral area

Neutral area is located around the active area for 1.0mm wide. Although the coordinates can be detected in this area, its functionality, optical properties and durability are not assured.

a) Neutral area detects coordinates when input by pen or finger, but it may cause functional error when it is treated as detected data.

b) As the purpose of the neutral area is to protect inactive area, pushing hardly by pen tip or others may cause deterioration of its durability.

3. Visible area

This is transparent area where silver electrode or flex printed with opaque ink are not existing.

It assures qualities related to appearance standards defined in the specifications.

4. Inactive area

Upper electrode or lower electrode in the inactive area is printed with transparent insulation ink on it. It is located outside of the active area and a non functional area.

a) Inactive area is printed with insulation ink. Hard push action may cause a deformation of upper electrode film and may lead to a malfunction in the active area nearby. Upper electrode may come

in contact with lower electrode and may cause a electrical leakage.

- b) As the purpose of the inactive area is to keep the flatness of the upper electrode film in the touch panel structure, hard push by pen or by system chassis may cause a functional error.

Designing print circuit

1. There is a contact resistance between upper and lower electrodes of the touch panel. It is recommended to set the impedance of detecting circuit high enough. Low impedance detecting circuit may cause a functional error.
2. Contact of the upper and lower electrode generates a contact resistance. Access by pen or finger to the touch panel should be started after the contact resistance becomes stable. Otherwise, it may cause a functional error.
3. Touch panel picks up a noise easily. It is recommended to earth or do other noise protections. Otherwise, it may cause a functional error.

Designing system chassis

1. Retain the air gap between upper electrode film and front chassis.
 - a) Retain minimum of 0.3mm air gap above the inactive area so that the front chassis does not make a pressure on upper electrode film. If there is any pressure on it, it may cause a functional error due to the deformation of the upper electrode film.
 - b) Flexible material such as rubber is recommended as cushioning materials. It should be placed outside of visible area. If it is placed onto inactive area, it may cause a functional error due to deformation of the upper electrode film.
2. Assemble design
 - a) Do not glue nor tape system front chassis to the surface of touch panel(upper electrode film) as it may lead to peeling off of the upper electrode film.
 - b) Make sure not to swell the upper electrode film by atmospheric pressure difference between inside and outside of the system. If it is swelled, it may cause a deterioration of durability of the touch panel and may cause a functional error.
 - c) Prevent vapor condensation to the touch panel. Do not expose the touch panel to high humidity Atmosphere, vaporous air, or to any liquid such as water. It may cause a leakage inside the touch panel structure.

Upper electrode film and lower electrode glass are fixed by adhesive, and there is a ventilation hole between film and glass. Liquid penetrate into touch panel easily due to this structure. Design the system carefully so that liquid will not penetrate into touch panel.

Assembling LCD module with touch panel**1. Unpacking**

- a) Do not hold nor pull flex cable. otherwise it may cause a breakage of the flex.
- b) Glass edge of touch panel is not treated. It is sharp edge and it may cause an injury when handled by bare hands. Wear finger sacks or groves and handle with extra care.

2. Handling

- a) Do not pick up the visible area or flexible tail.
- b) Do not stack up the LCD module. Do not place anything on the LCD module. It may cause scratch, deformation, or breakage.
- c) Wipe a dirt on the screen with dry soft cloth. If it is still sticked, wipe it out with soft cloth with ethyl alcohol. Upper electrode film and lower electrode glass of touch panel are fixed by adhesive and there is a ventilation hole in between. Be careful not to have ethyl alcohol may penetrate into touch panel. It may cause a functional error.

3. Assembling

- a) Be careful not to apply excessive distortion on heat sealed area of the flex cable. It may cause a functional error.
- b) Be careful not to scratch the front of touch panel during assembly process.

4. Operating instruction

- a) Use a finger or a polyacetal pen to access to touch panel. The surface of the touch panel film is hard coat treated. This hard coating may be damaged if it is touched by a ball-point pen or metal piece.
- b) Do not expose the LCD module to the direct sun-light for long period of time. Polyester film is used as the front film of the touch panel, exposure to direct sun-light for long time may cause a discoloration.
- c) If a chemical material stays on the touch panel for long period of time, front film may be swelled and may cause a functional error. If it is planned to be used under severer circumstances, very careful protection is required.

○Contents

	Page
1. Application	7
2. Construction and Outline	7
3. Mechanical Specifications	7
4. Absolute Maximum Ratings	8
5. Electrical Specifications	9
6. Module driving method	15
7. Optical Characteristics	17
8. Characteristics of Backlight	20
9. Touch panel specification	21
10. Supply voltage sequence condition	22
11. Outline dimension	23

1. Application

This data sheet is to introduce the specification of LM057QCTT03, negative Matrix type Color LCD module.

2. Construction and Outline

Construction: Touch panel and 320×RGB×240 dots color display module consisting of an LCD panel, PWB(printed wiring board) with electric components mounted, TCP(tape carrier package) to connect the LCD panel and PWB electrically, and plastic chassis with CCFT back light and bezel to hold them mechanically. Signal ground(Vss) is connected with the metal bezel.

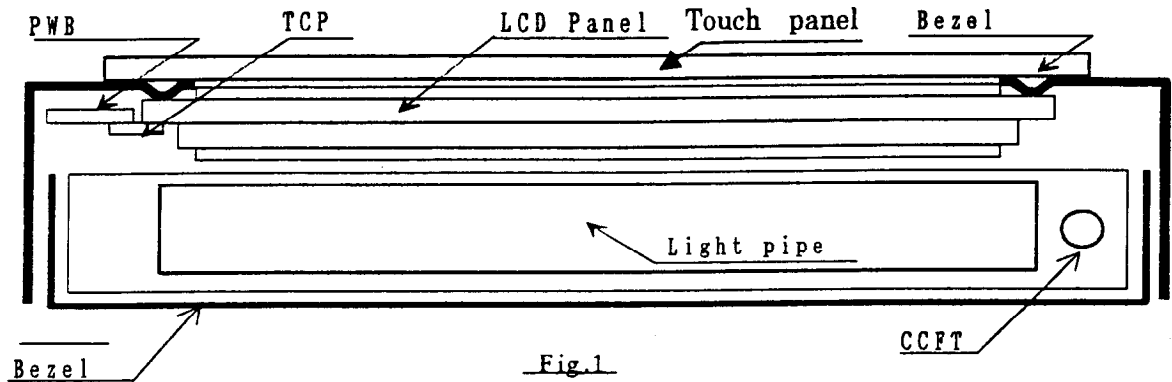


Fig.1

Outline :See Fig. 13

Connection :See Fig. 13 and Table 6

Application inspection standard

The LCD module shall meet the following inspection standard :

3. Mechanical Specification

Table 1

Parameter	Specifications	Unit
Outline dimensions *1	154.6±0.5(W)×114.8±0.5(H)×9.85±0.7(D)	mm
Viewing area	118.2(W)×89.4(H)	mm
Active area	115.18(W)×86.38(H)	mm
Display format	320×RGB(W)×240(H)	-
Dot size	0.1×RGB(W)×0.34(H)	mm
Dot spacing	0.02	mm
Base color *2	Normally black	-
Mass	Approx. 250	g

*1 Due to the characteristics of the LC material, display colors may vary with ambient temperature.

*2 Negative-type display

Display data "H" → Display ON = white

Display data "L" → Display OFF = black

4. Absolute Maximum Ratings

4-1. Electrical absolute maximum ratings

Table 2

Parameter	Symbol	MIN.	MAX.	Unit	Remark
Supply voltage (Logic)	$V_{DD}-V_{SS}$	0	6.0	V	Ta=25 °C
Input voltage	V_{IN}	-0.3	V_{DD}	V	Ta=25 °C
Supply voltage (LCD)	$V_{EE}-V_{SS}$	0	32	V	Ta=25 °C

4-2. Environment Conditions

Ambient temperature , humidity conditions

Table 3

Item	Topr		Tstg		Remark
	MIN.	MAX.	MIN.	MAX.	
Ambient temperature	0 °C	+50 °C	-25 °C	+60 °C	Note 1)
Humidity	Note 2)				No condensation

Note 1) The display module should not be operated nor stored outside of specified temperature range.

Note 2) $T_a \leq 40$ °C.....95 % RH Max.

$T_a > 40$ °C.....Absolute humidity shall be less than $T_a=40$ °C/95 % RH.

Vibration conditions

Table 4

Frequency	10 Hz~57 Hz	57 Hz~500 Hz
Vibration level	-	9.8 m/s ²
Vibration width	0.075 mm	-
Interval	10 Hz~500 Hz~10 Hz/11.0 min	

2 hours for each direction of X/Y/Z (6 hours as total)

Shock conditions

Acceleration : 490 m/s²

Pulse width : 11 ms

3 times for each directions of $\pm X/\pm Y/\pm Z$

5. Electrical Specifications

5-1. Electrical characteristics

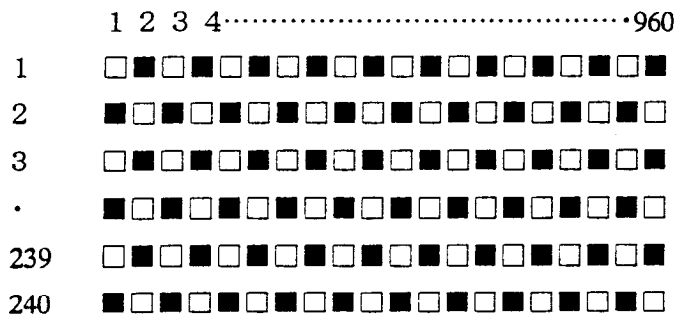
Table 5-1

Parameter	Symbol	Conditions	Min.	Typ.	Max.	Unit
Supply voltage (Logic)	$V_{DD}-V_{SS}$	$T_a = 0 \sim 50 \text{ }^\circ\text{C}$	4.75	5.0	5.25	V
Supply voltage (LCD) Note 1)	$V_{EE}-V_{SS}$	$T_a = 0 \text{ }^\circ\text{C}$	-	26.8	28.7	V
		$T_a = 25 \text{ }^\circ\text{C}$		26.1		
		$T_a = 50 \text{ }^\circ\text{C}$	23.7	25.5		
Input signal voltage	V_{IH}	"H" level	$T_a = 0 \sim 5 \text{ }^\circ\text{C}$	-	V_{DD}	V
	V_{IL}	"L" level				0
Supply current	I_{DD}	$T_a = 25 \text{ }^\circ\text{C}$ (Note 2)	-	3.0	4.5	mA
	I_{EE}		-	8.0	12	mA
Power consumption	P_d	$T_a = 25 \text{ }^\circ\text{C}$ (Note 2,3)	-	223	335	mW

Note 1) Frame frequency = 75 Hz.

Note 2) Frame frequency = 75 Hz, $V_{EE} - V_{SS} = 26.1\text{V}$, $V_{DD} = 5\text{V}$

Display pattern = checker flag pattern



Note 3) Except Lamp power consumption. (*See Page 20)

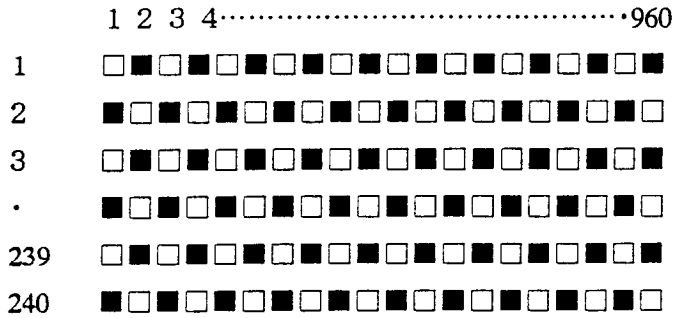
Table 5-2

Parameter	Symbol	Conditions		Min.	Typ.	Max.	Unit
Supply voltage (Logic)	$V_{DD}-V_{SS}$	$T_a = 0 \sim 50 \text{ }^\circ\text{C}$		3.125	3.3	3.465	V
Supply voltage (LCD) Note 1)	$V_{EE}-V_{SS}$	$T_a = 0 \text{ }^\circ\text{C}$		-	26.8	28.7	V
		$T_a = 25 \text{ }^\circ\text{C}$			26.1		
		$T_a = 50 \text{ }^\circ\text{C}$		23.7	25.5		
Input signal voltage	V_{IH}	"H" level	$T_a = 0 \sim 50 \text{ }^\circ\text{C}$	$0.8V_{DD}$	-	V_{DD}	V
	V_{IL}	"L" level		0	-	$0.2V_{DD}$	V
Supply current	I_{DD}	$T_a = 25 \text{ }^\circ\text{C}$ (Note 2)		-	1.5	2.5	mA
	I_{EE}			-	8.0	12	mA
Power consumption	P_d	$T_a = 25 \text{ }^\circ\text{C}$ (Note 2,3)		-	215	320	mW

Note 1) Frame frequency = 75 Hz.

Note 2) Frame frequency = 75 Hz, $V_{EE} - V_{SS} = 26.1\text{V}$, $V_{DD} = 3.3\text{V}$

Display pattern = checker flag pattern



Note 3) Except Lamp power consumption. (*See Page 20)

5-2 Interface signals

○ LCD

Table 6 CN1 (LCD)

No.	Symbol	Description	Note
1	YD	scan start-up signal	"H"
2	LP	input latch signal	"H" → "L"
3	XCK	data input clock signal	"H" → "L"
4	DISP	display control signal	"H" display on, "L" display off
5	VDD	power supply for logic	
6	VSS	Ground potential	
7	VEE	power supply for LCD	
8	D7	Display data signal	"H" (ON), "L"(OFF)
9	D6		
10	D5		
11	D4		
12	D3		
13	D2		
14	D1		
15	D0		

○ CCFT

Table 7 CN2 (CCFT)

No.	Symbol	Description	Note
1	VL1(HV)	High voltage line(from Inverter)	for back light
2	NC	-	
3	VL2(GND)	Ground line(from Inverter)	

○ TOUCH PANEL

Table 8 CN3 (TOUCH PANEL)

No.	Symbol	Description	Note
1	X+	Touch panel signal	-
2	Y+		
3	X-		
4	Y-		

Used connector

CN1 : 53216-1510 (MOLEX)

CN2 : BHR-03VS-1 (JST)

CN3 : FPC Ag/C Conductor

Correspondable connector

CN1 : 51021-1500 (MOLEX)

CN2 : SM02-(8.0)B-BHS-1 (JST)

CN3 :SFW4R-5STE (FCI)

(Display functions and reliabilities are not guaranteed for the usage of unspecified mating connectors.)

5-3. Interface timing

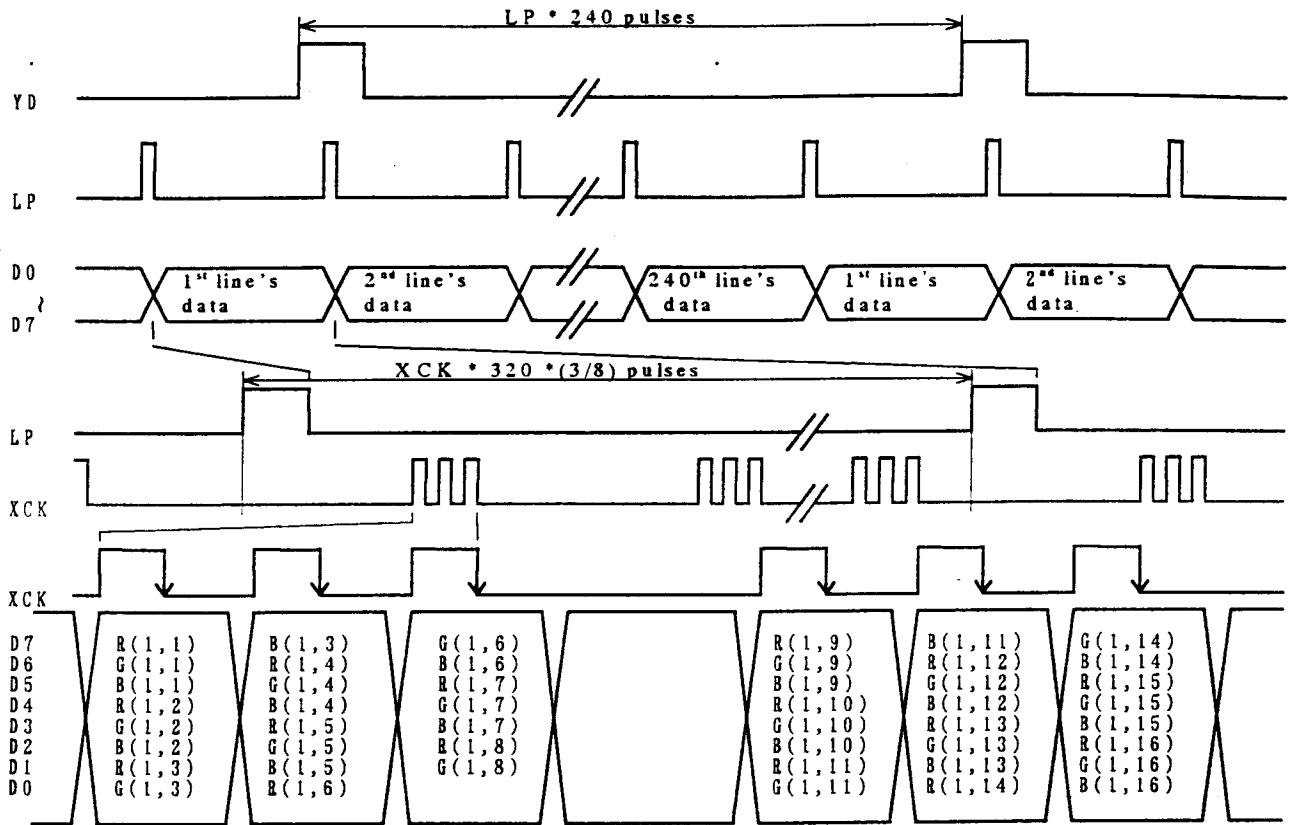


Fig.2 Interface timing

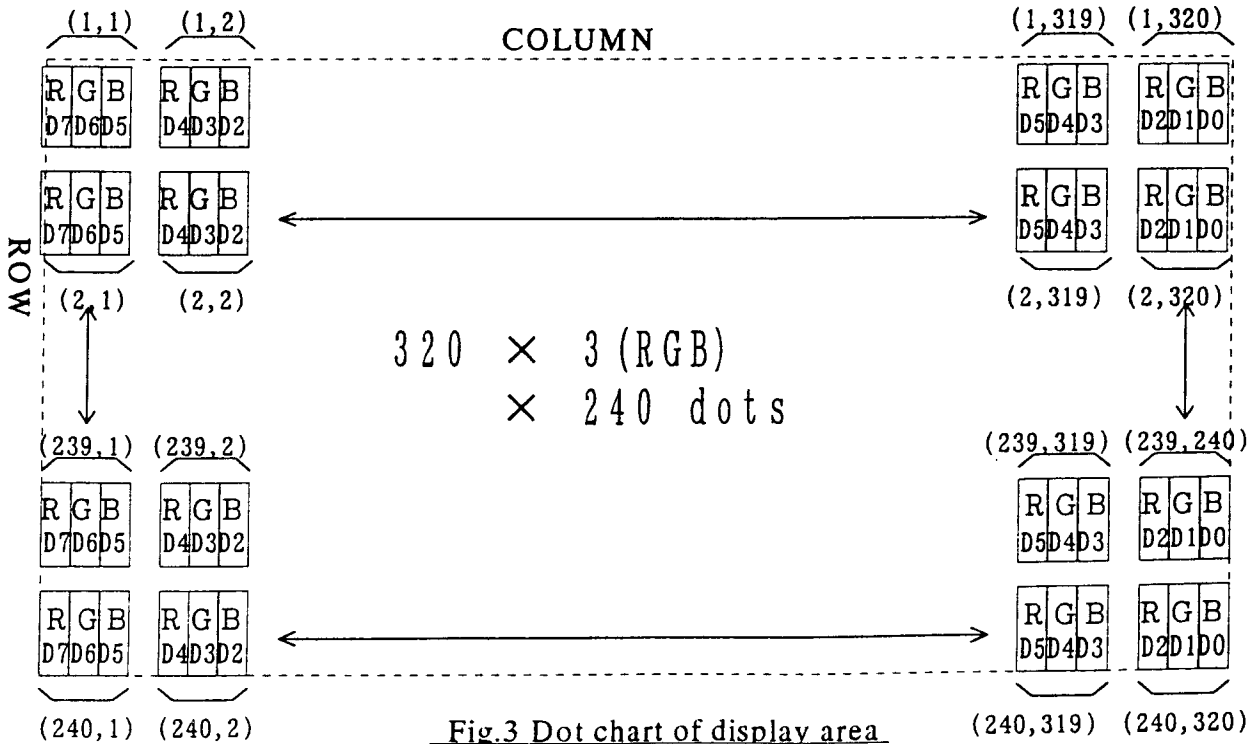


Fig.3 Dot chart of display area

Table 9 Interface timing ratings

Ta=25 °C, VDD = 5.0 V ± 5 % (3.3V ± 5 %)

Parameter	Symbol	MIN.	TYP.	MAX.	Unit
Flame cycle Note 1)	t_{FRM}	12.5	-	14.3	ms
XCK clock cycle Note 2)	t_{CK}	81	-	-	ns
XCK "H" level width	t_{WCKH}	35	-	-	ns
XCK "L" level width	t_{WCKL}	35	-	-	ns
LP "H" level latch clock width	t_{WLPH}	200	-	-	ns
Data set up time	t_{DS}	35	-	-	ns
Data hold time	t_{DH}	35	-	-	ns
YD "H" level set up time	t_{HYS}	100	-	-	ns
YD "H" level hold time	t_{HYH}	100	-	-	ns
YD "L" level set up time	t_{LYS}	100	-	-	ns
YD "L" level hold time	t_{LYH}	100	-	-	ns
LP ↓ allowance time from XCK ↑	t_{LS}	200	-	-	ns
XCK ↓ allowance time from LP ↑	t_{LH}	200	-	-	ns
Input signal rise/fall time*1	t_r, t_f	-	-	13	ns

Note 1) Due to the characteristics of the LCD module, "shadowing" effect becomes more visible as frame refresh frequency goes up. And also contrast ratio goes down and flickering becomes more visible as frame refresh frequency goes down. It is recommended to drive the display module according to the specified conditions.

Recommended frame refresh frequency range is 70 Hz ~ 80 Hz.

Note 2) LP signal must be continuous. And also its interval time from the falling edge to the rising edge must always be same and no greater than 70 μ s.

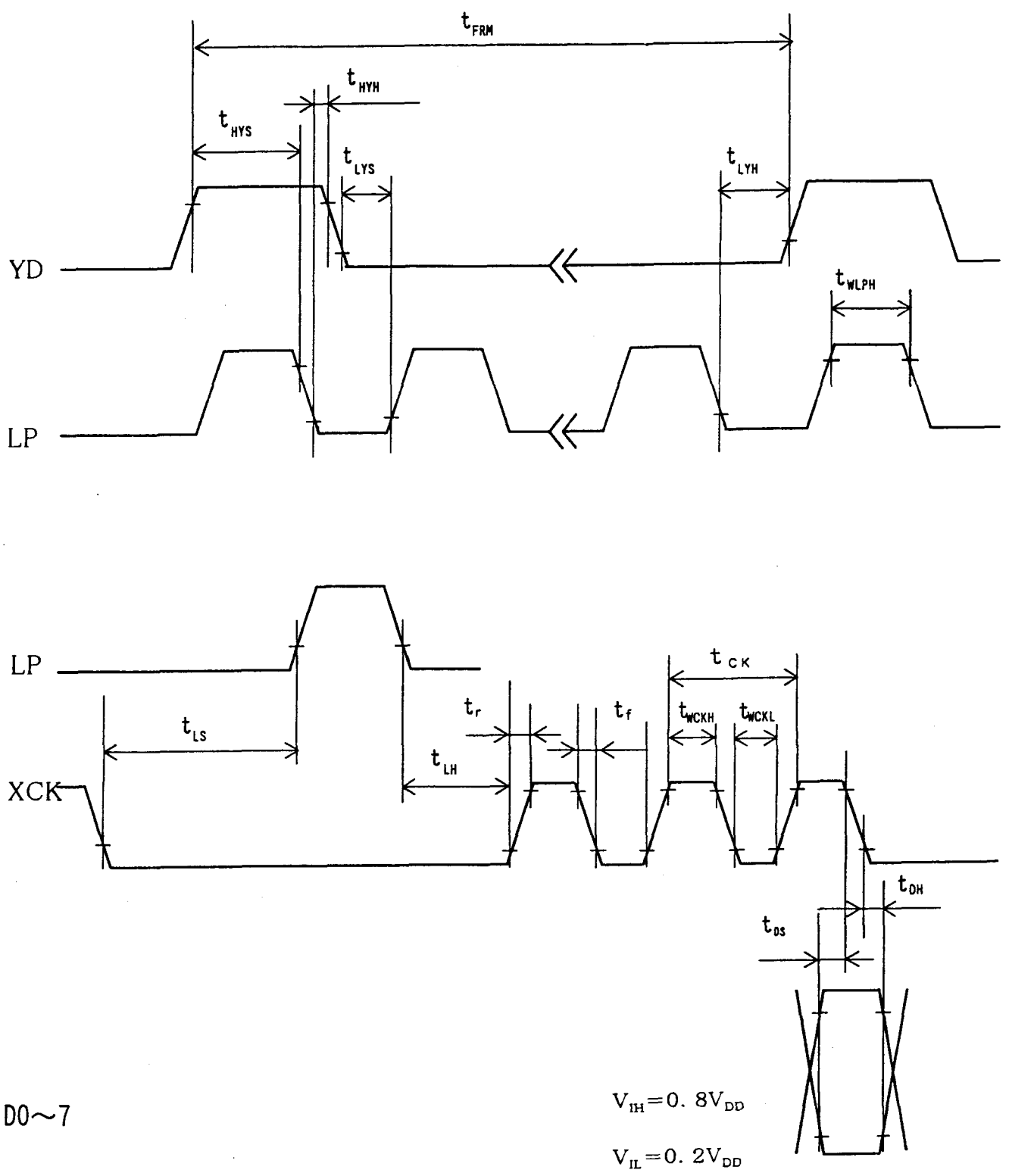


Fig.4 Interface timing chart

6. Module Driving Method

6-1. Input data and control signal

One SEG(segment=column)driver is a 240 bit output LSI, consisting of shift registers, latch circuits and LCD driver circuits.

Input data for each row ($320 \times 3[R,G,B]$) will be sequentially transferred in the form of 8 bit parallel data through shift registers by data transfer clock signal (XCK). When data transfer for one row ($320 \times 3[R,G,B]$) is completed, the data will be latched in the form of 320×3 parallel data corresponding to each column electrodes by the falling edge of latch signal (LP), then the drive pulses will be output to 320×3 lines of column electrodes of the LCD panel by the LCD drive circuits.

At the same time, row N is selected by scan start-up signal (YD) and the contents of the data signals are displayed on the row N of the display screen according to the combinations of voltages applied to row and column electrodes. While the data row N are being displayed, data for row N+1 are transferred. After 320×3 data have been transferred, data will be latched by the falling edge of LP and output the data to the row N+1.

Each row will be sequentially selected as described above from N=1 to N=240. One frame is completed after displaying 240th row. Then row scan starts from the 1st row again. YD is the scan signal which drives row electrodes.

If DC voltage is applied, it causes a chemical reaction in LC material and causes a deterioration of LC material. So, the polarities of driving pulses must be alternated by certain time period. Control signal M is the signal which changes the polarity of driving pulses.

Power consumption of the LCD module goes up as clock(XCK) frequency goes up due to the nature of CMOS LSI used in it. This display module has 8 bit parallel data input so that it works at low clock frequency and minimize power consumption. 8 bit display data are assigned to D0-7.

This display module also has a bus line system for data input to minimize the power consumption. Data input of each LSI driver works only when data is accessed

Data Input for column electrodes and Chip Select of driver LSI work as follows:

The driver LSI at the left end of the screen is selected first and 240 bits of data($30 \times XCK$) are transferred to it. After transferring 240 data, the adjacent right side LSI right is selected. This process is sequentially continued until data is fed to the LSI at the right end of the screen. Thus display data is transferred sequentially through 8 bit bus line from the left to the right of the screen.

SPEC No. LC99908	MODEL No. LM057QCTT03	PAGE 16
---------------------	--------------------------	------------

As this display module does not have display refresh RAM, display data and timing control signals must be supplied continuously.

The timing chart of input signals are shown in Fig. 4 and Table 9.

7. Optical Characteristics

Table Ta = 25 °C, V_{DD} = 5.0 V(3.3V), V_{EE} = V_{CO} max

Parameter	Symbol	Condition	MIN.	TYP.	MAX.	Unit	Remark	
Viewing angle range	θ_x	$\theta_y = 0^\circ$	$\theta_x \geq 0^\circ$	50	-	-	°	Note1)
			$\theta_x < 0^\circ$	-	-	-50	°	
	θ_y	Co > 2.0	$\theta_x = 0^\circ$	35	-	-	°	
			$\theta_y < 0^\circ$	-	-	-60	°	
Contrast ratio	Co	$\theta_x = \theta_y = 0^\circ$	25	40	-	-	Note2)	
Response time	Rise	τr	-	450	600	ms	Note3)	
	Decay	τd	-	100	130	ms		
Brightness	B	$\theta_x = \theta_y = 0^\circ$	IL = 6.0 mA	120	150	-	cd/m ²	Note4)
Module chromaticity	white	x	$\theta_x = \theta_y = 0^\circ$	0.28	0.33	0.38	-	
		y	$\theta_x = \theta_y = 0^\circ$	0.29	0.34	0.39	-	

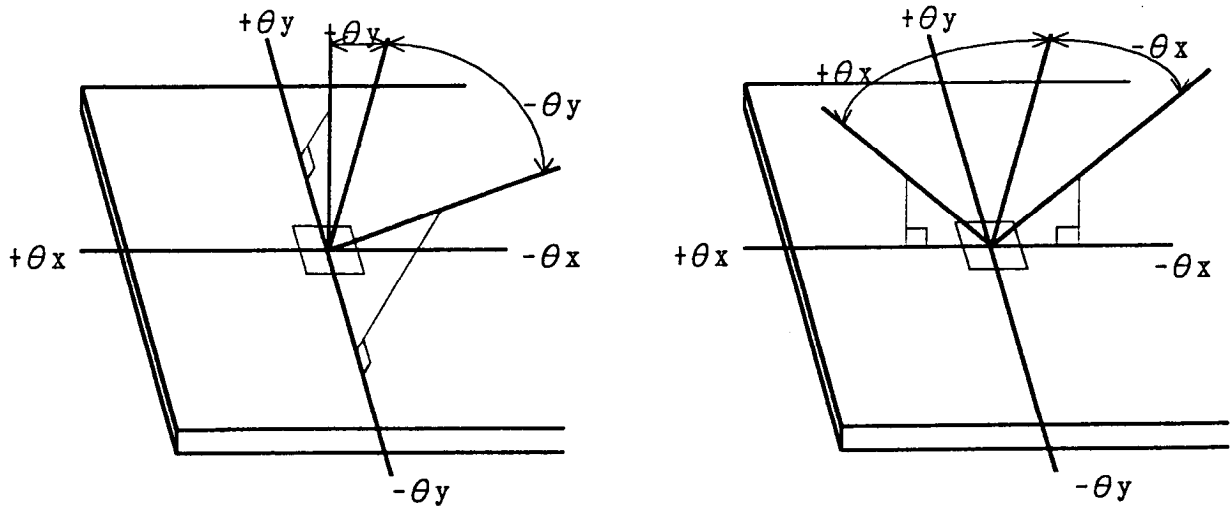


Fig.5 Definition of Viewing Angle

Note 1) The viewing angle range is defined as shown Fig.5

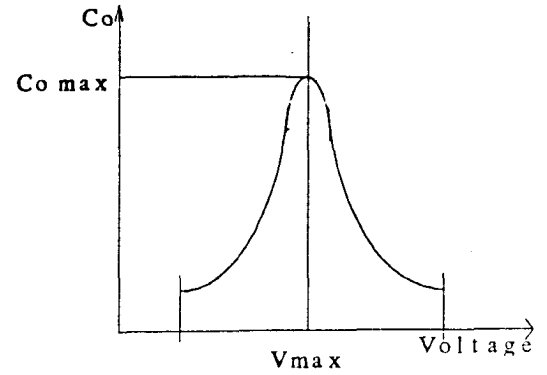
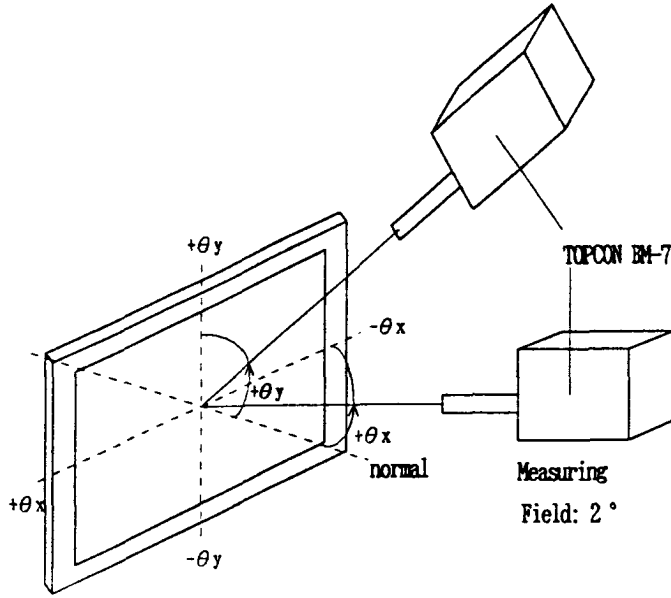
Note 2) Contrast ratio is defined as follows:

$$Co = \frac{\text{Luminance(brightness) of all pixels "White" at } V_{max}}{\text{Luminance(brightness) of all pixels "Dark" at } V_{max}}$$

V_{max} is defined in Fig.7.

Note 3) The response speed of LCD module is defined as the response characteristics of photo-detector output shown in Fig.6 when the measured dot is turned on and off in the setting shown in Fig.8

Note4) Luminance is defined as average luminance (brightness) of measuring points (①~⑤) at V_{max}. All pixels of LCD are "white".



Measuring Spot Size : $\phi 10 \text{ mm}$

- θ_x : Angle from "normal" to measuring direction along the horizontal axis.
- θ_y : Angle from "normal" to measuring direction along the vertical axis.

Fig.6 Optical Characteristics Test Method I

Fig.7 Definition of V_{max}

(Response Speed Measurement)

$T_a = 25^\circ \text{C}$

In the dark room

TOPCON BM7 + quartz fiber

(Measuring spot size : $\phi 10 \text{ mm}$, Measuring Field : 2°)

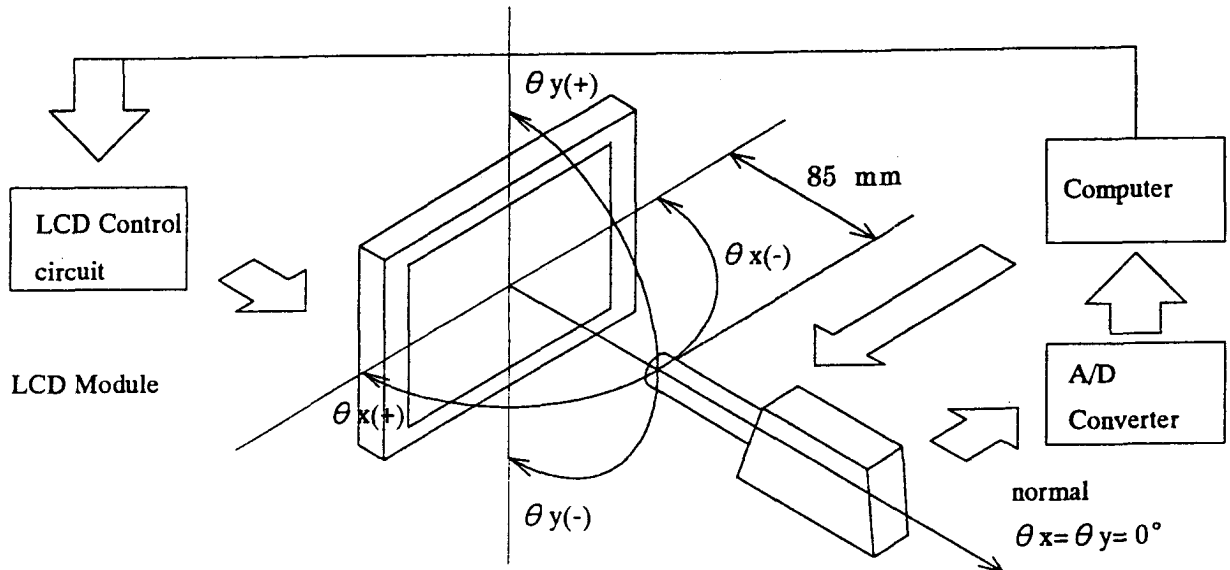


Fig. 8 Optical Characteristics Test Method II

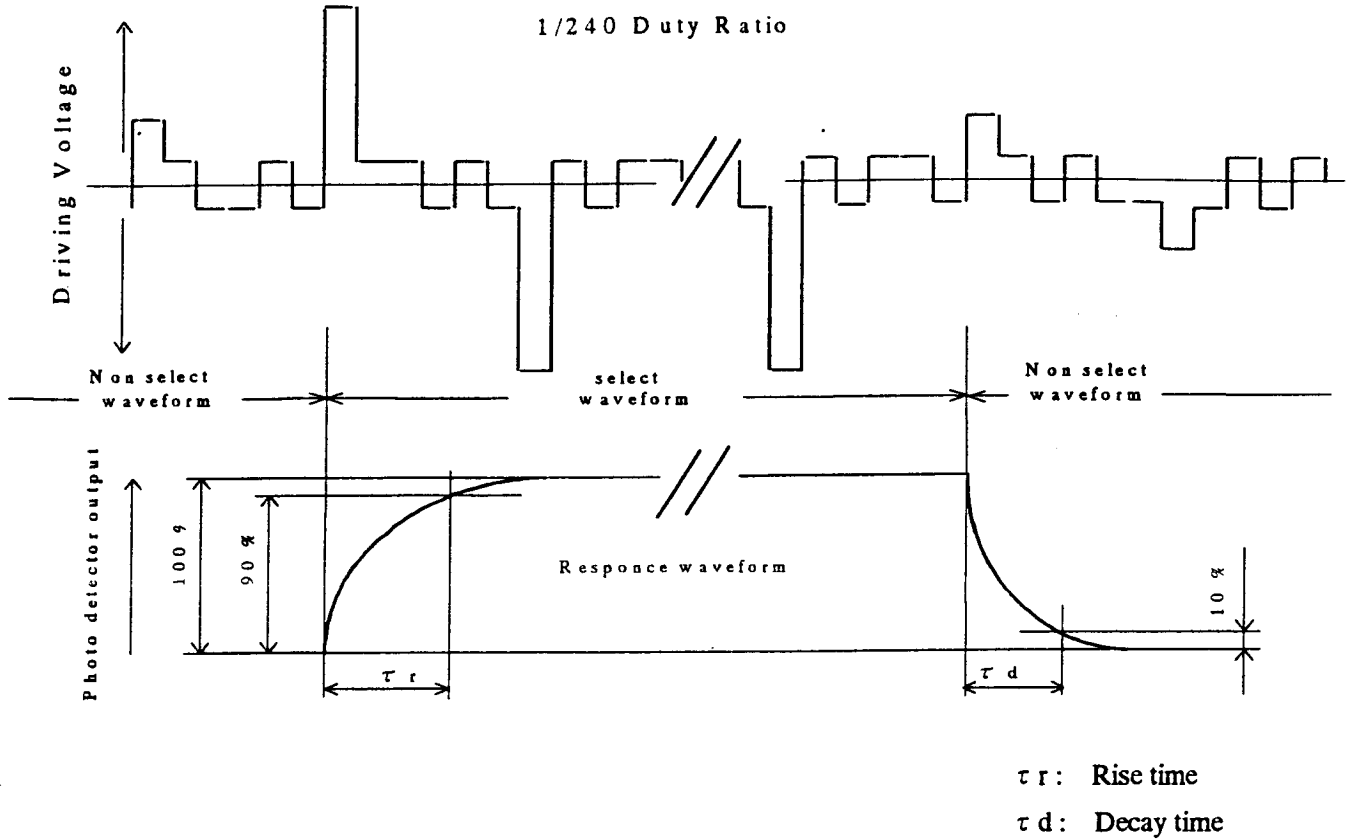
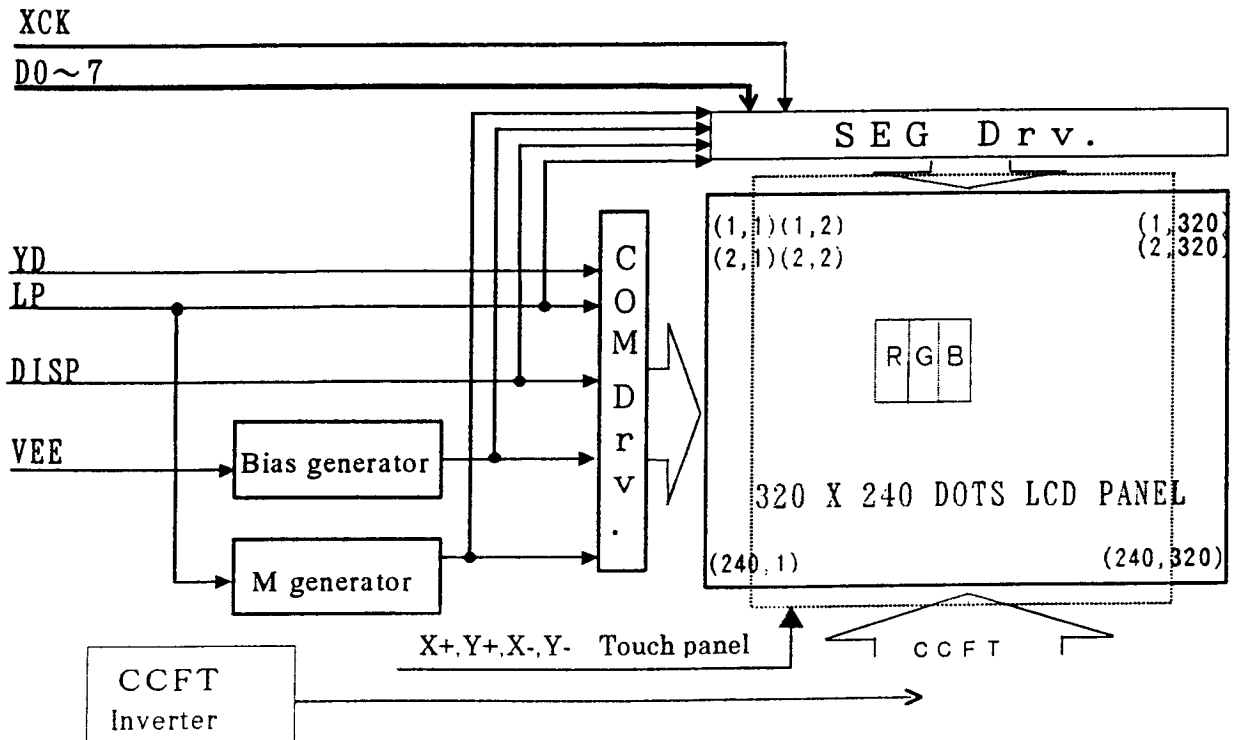


Fig.9 Definition of Response time



*Signal ground(V_{SS}) is connected with the metal

Fig.10 Circuit block diagram

8.Characteristics of Backlight

The ratings are given on condition that the following conditions.

1) Rating(Note)

Table 11

Parameter	MIN.	TYP.	MAX.	Unit
Brightness	120	150	-	cd/m ²

2) Measurement circuit : CXA-M10L(TDK) (at $I_L = 6.0$ mArms)

3) Measurement equipment : BM-7 (TOPCON Corporation)

4) Measurement conditions

4-1. Measurement circuit voltage : DC = 12.0V, at primary side

4-2. LCD: All digits WHITE, $V_{DD} = 5.0$ V(3.3V), $V_{EE} = V_{max}$, D7~0 : "H"(White)

$1/tFRM = 75$ Hz

4-3. Ambient temperature : 25 °C

Measurement shall be executed 30 minutes after turning on.

5)

5-1. Rating (1pc)

Table 12

Parameter	Symbol	MIN.	TYP.	MAX.	Unit	Remark
Lamp current	I_L	4	6	6.5	mArms	*1
Lamp voltage	V_L	-	400	-	Vrms	
Lamp power consumption	P_L	-	2.4	-	W	*2
Lamp frequency	F_L	40	-	80	kHz	
Kick-off voltage	V_s	-	-	650	Vrms	Ta=25 °C
		-	-	770	Vrms	Ta= 0 °C, *3
Lamp life time	L_L	15 000	25 000	-	h	*4

*1 It is recommended that I_L is no greater than 6 mArms so that the effect of heat radiation from CCFT backlight on display quality is minimized.

*2 Power consumption excluded inverter efficiency loss.

*3 The output voltage of the inverter should be set to V_s adding some margin as V_s of CCFT bulb may be increased due to AC coupling leakage to the chassis of the LCD module.

*4 Average life time of CCFT bulb will be decreased when LCD is operated at low temperature.

6) Operating life

The operating life time is 25 000 hours or more at 6 mArms, 25 ± 1°C

(Operating life with CXA-M10L or equivalent.)

The inverter should meet the following conditions to keep the specified life time of used lamp;

- Sine wave form, symmetric in positive and negative, no ripple or spike pulse
- Output frequency range: 40~80 kHz

Check well that CCFT works properly with enough aging time.

The operating life time is defined as the time either of following conditions are met:

- When the luminance or amount of light output is decreased to 60 % of the initials value.
- When the kick-off voltage reaches Maximum value in Table 11.

(NOTE) Ratings are defined as the average brightness inside the viewing area specified in Fig.11.

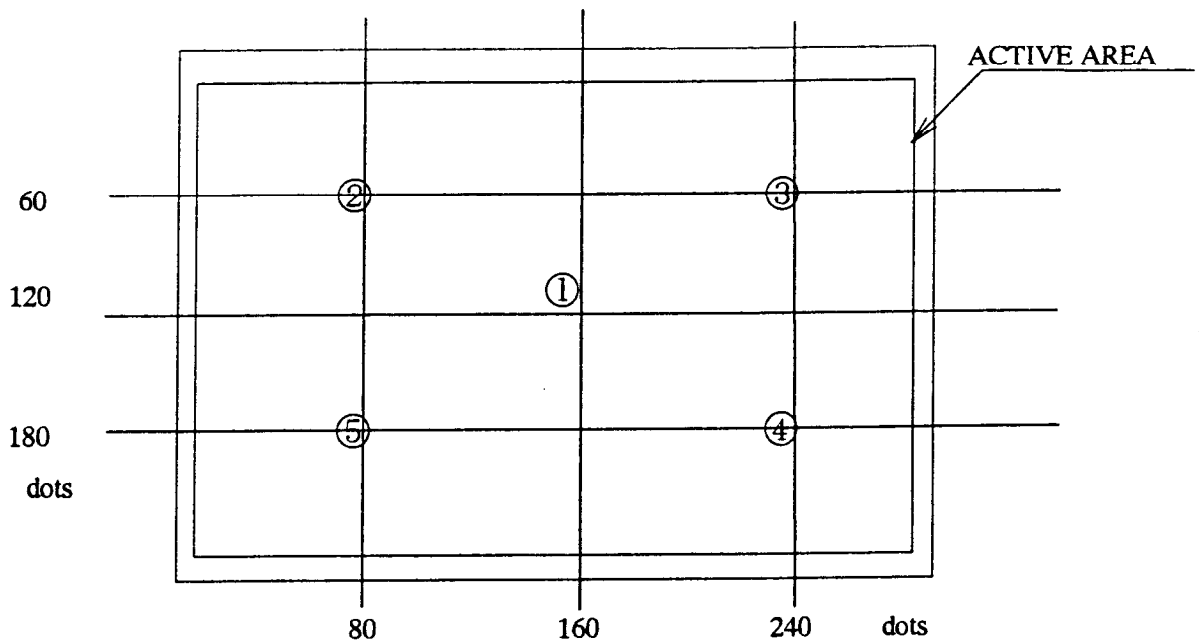


Fig.11 Measuring points (1-5)

9. Touch panel specifications

Parameter		MIN.	TYP.	MAX.	Unit	Remark
Voltage		-	5	7	V	DC
Resistance Between terminals	X	350	-	900	Ω	Film side
	Y	200	-	650	Ω	Glass side
Linearity	XY	-	-	2	%	
Insulation resistance		10	-	-	MΩ	DC25V
Activation	Finger	-	-	0.5	N	
	Stylus	-	-	0.5	N	
Surface hardness		2H	-	-	-	
Optical clarity		-	80	-	%	

10. Supply voltage sequence condition

The power ON/OFF sequence shown on Fig.12 must be kept to avoid latch-up of driver LSI and DC voltage charge to LCD panel.

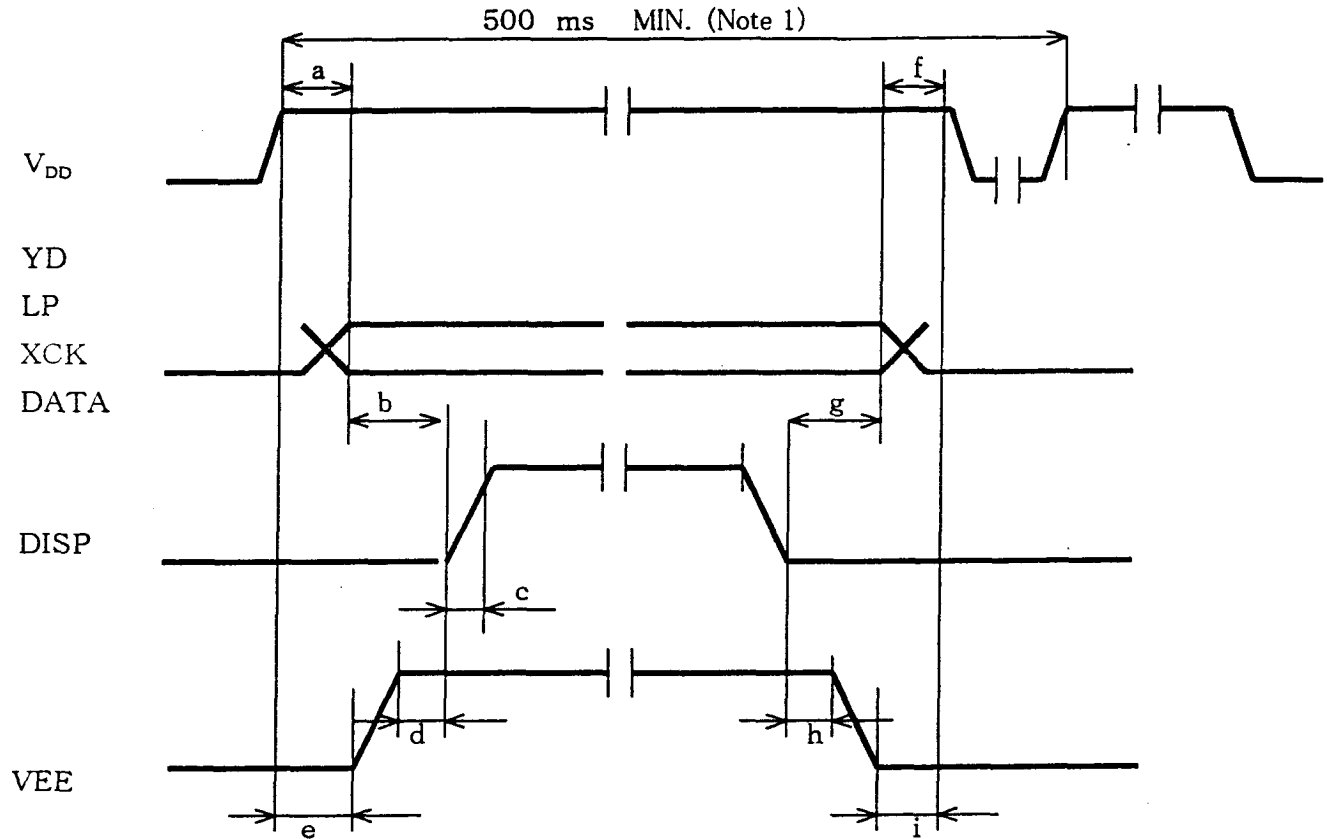


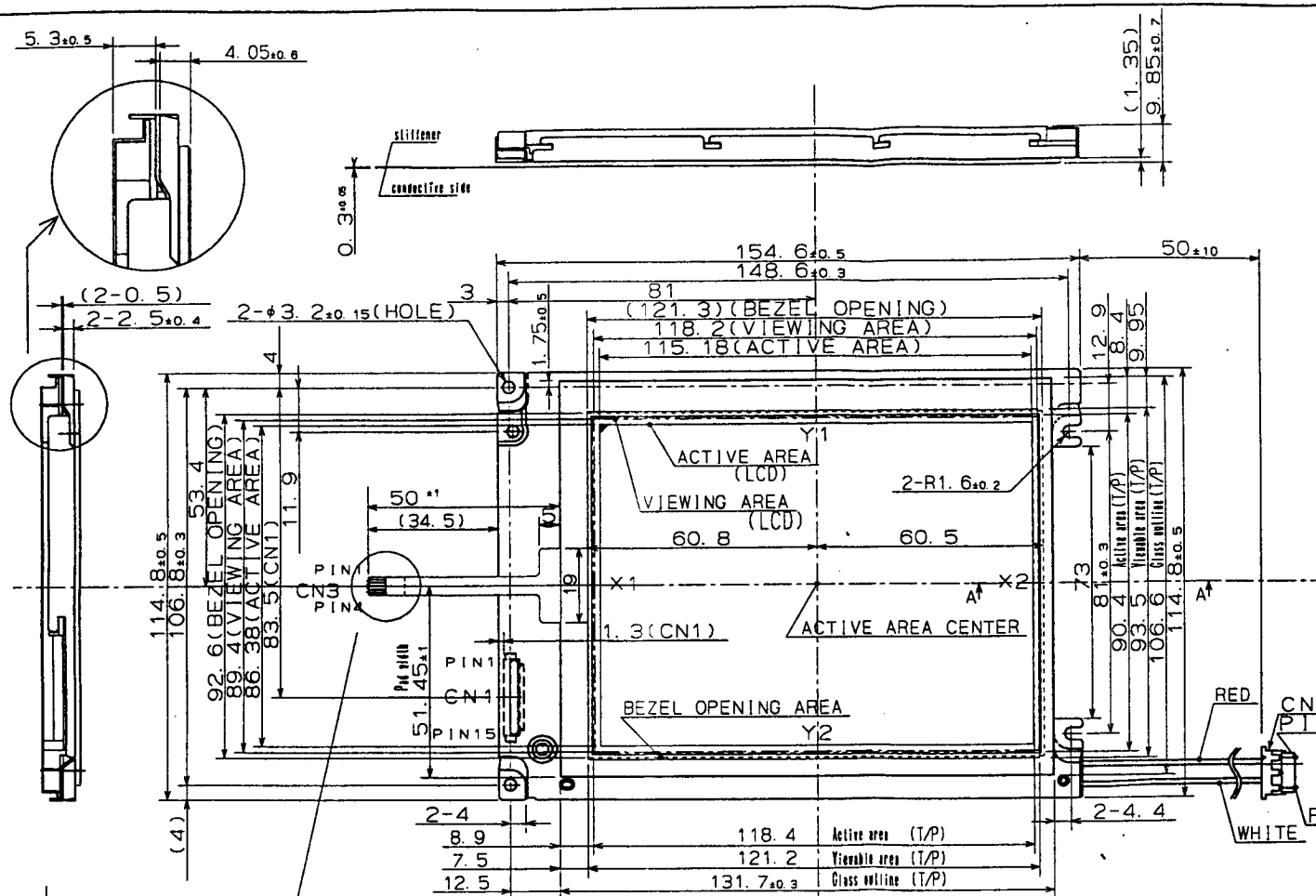
Fig.12 Sequence condition

Symbol	POWER ON	
	Allowable value	
a	0 ms MIN.	1 s MAX.
b	20 ms MIN.	-
c	-	100 ns MAX.
d	0 ms MIN.	-
e	0 ms MIN.	-

Symbol	POWER OFF	
	Allowable value	
f	0 ms MIN.	1 s MAX.
g	20 ms MIN.	-
h	20 ms MIN.	-
i	0 ms MIN.	-

Note 1) Power ON/OFF cycle time. All signals and power lines must be switched in accordance with above sequence during power ON/OFF cycle.

出図
 設計通報 連絡書
 DRAWING INFO INFORMATION
 No. ()号による
 新設 変更 書換 図面
 NEW CHANGE REPLACE DRAWING



DOT SIZE
 (S=40/1)

INTERFACE CONNECTOR

CN1	
PIN No.	SYMBOL
1	FRM
2	LOAD
3	CP
4	DSP
5	VDD
6	VSS
7	VST
8	D7
9	D6
10	D5
11	D4
12	D3
13	D2
14	D1
15	DO

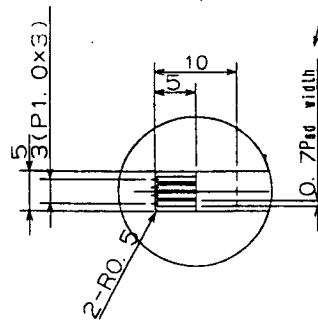
CCFT CONNECTOR

CN2	
PIN No.	SYMBOL
1	HV
2	NC
3	GND

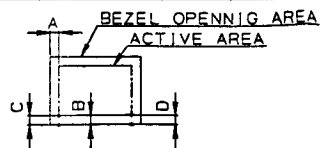
T/P CONNECTOR

CN3	
PIN No.	SYMBOL
1	X2
2	X1
3	Y1
4	Y2

5. INTERFACE CONNECTOR : 53261-1510(MOLEX)
 4. CCFT CABLE : UL3587 AWG26
 3. CCFT CONNECTOR : BHR-03VS-1(JST)
 2. UNSPECIFIED TOL TO BE ±0.5
 NOTE : 1. UNIT IS mm



BEZEL/DISPLAY POSITION



- 1) TOLERANCE X-DIRECTION A: 3.21±0.5
 2) TOLERANCE Y-DIRECTION B: 3.11±0.5
 3) OBLIQUITY OF DISPLAY AREA C-DI<0.5

LM057QCTT03				NAME LCD MODULE	
DATE REVISE				MODEL	
MATERIAL		THICKNESS		FINISH	
SCALE 0.8/1		ASSEMBLY		PARTS CODE	
SHARP CORPORATION				DATE 1999 SEP 20	
Engineering Department 1				DRAWING No.	
Duty Panel Development Center					
Duty LCD Group					